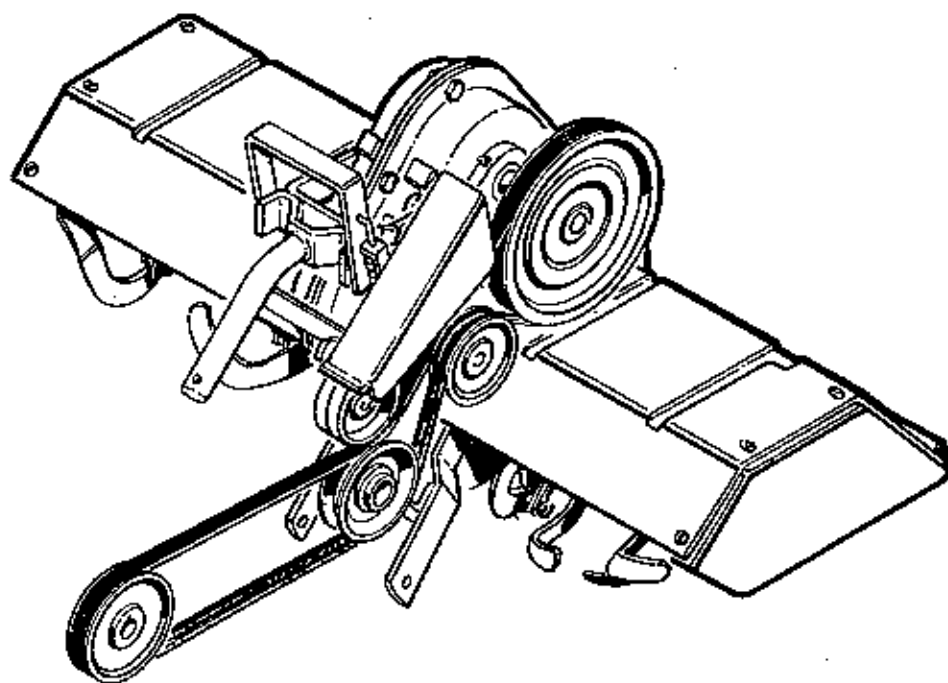


Simplicity

36" HEAVY DUTY TILLER



**Mfrs. No. 503 for 12. H.P.
Mfrs. No. 545 for 10. H.P.**

SIMPLICITY MANUFACTURING COMPANY, INC.

MADE IN U.S.A.

TP - 1314

PACKING

The 36" Heavy Duty Tiller is delivered complete in one carton. The carton contains:

- 1 - Tiller Assembly
- 1 - Idler Arm & Pulley Assembly with "V" Belt
- 1 - Pulley and Key
- 1 - Hardware Pack

Should any shortages of the above items occur, advise by stating the packers number listed on the green packing slip.

ATTACHING TILLER TO TRACTOR

1. Position tiller in back of tractor. Pull the tractor lift lever to the full back position and place the tiller lift bar assembly into the tube of the rear lift assembly on the tractor. Fasten in place with pin and spring clip. (Figure 1).

2. Place tractor lift lever in forward position. Connect the tiller frame assembly to the tractor with 2 pins and 2 spring clips. (Figure 1).

3. Slide idler arm assembly onto rear lift shaft. (Figure 1).

4. Attach lower end of idler arm assembly to hitch member with pin and spring clip. (Figure 1).

5. Assemble pulley with hub facing in to power take-off shaft on bevel gear housing provided. (Figure 2). Attach belt stop to tractor. Capscrew, washers and nut are provided on tractor. (Figure 2).

6. Position "V" belt on pulleys. (Figure 2). Check to insure pulleys are aligned properly.

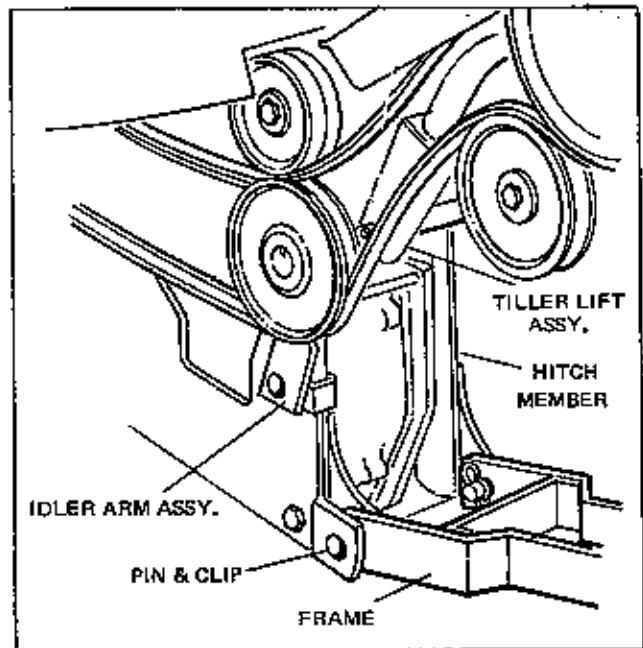


Figure 1

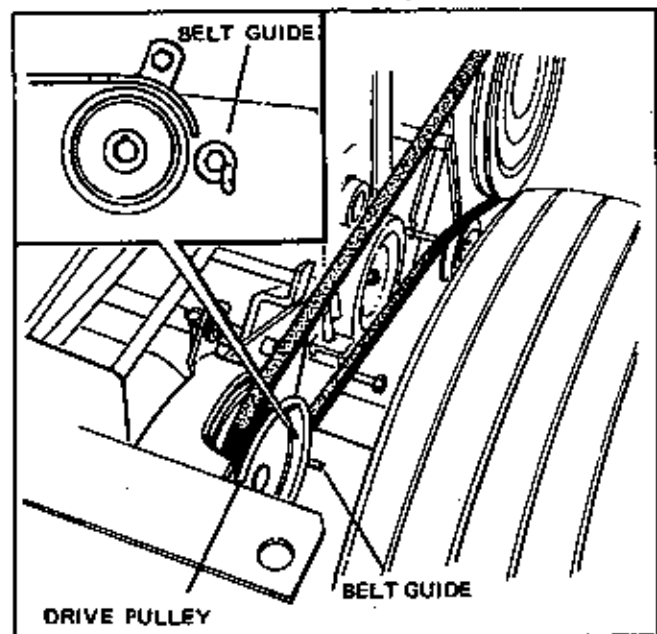


Figure 2

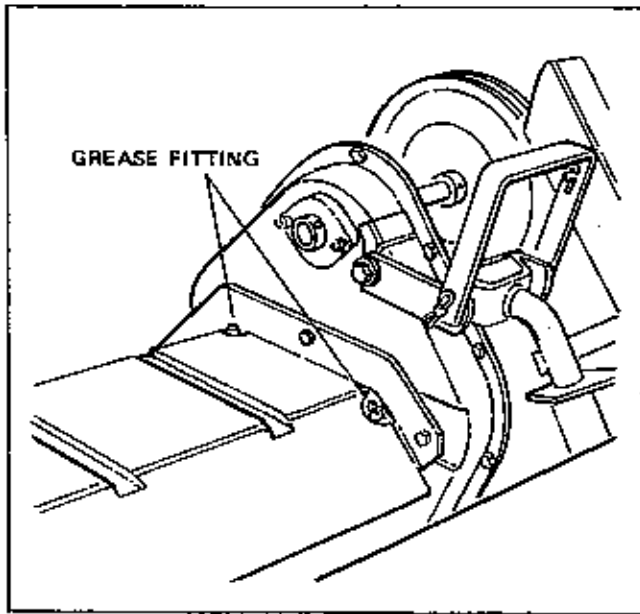


Figure 3

LUBRICATION

There are grease fittings on each housing bearing and two 90° grease fittings are on right hand side of housing. These fittings should be lubricated every 3 hours of operation. You can use a good grade of general purpose automotive type grease applied with a standard grease gun. (Fittings should be wiped clean before applying grease). Also apply a few drops of lubricating oil to the moving linkages of the tiller drive assembly occasionally. (Figure 3).

BELT TENSION

The "V" belt that transmits power from the bevel gear box to the tiller drive shaft is designed and manufactured to provide long and satisfactory service. Because of the special design of this belt, it is urged that you replace it only with genuine replacement belts ordered from your dealer. Consult the parts list for correct part numbers for these belts when replacement is necessary.

Adjustment of belt tension for the "V" belt is regulated by the set collar on the rod guide assembly. (Figure 4). The tension should be correct when there is about 1/4" clearance between the collar and the bracket of the rod guide assembly when the tiller clutch lever is engaged. To increase the tension, release the tiller clutch lever and loosen the set screw in the collar. Slide the collar up toward the spring and retighten the set screw. Check the tension by engaging the tiller clutch lever. Avoid excessive tension as it will cause premature belt failures.

OPERATION

Before starting the tractor engine, place the tiller clutch lever in the disengaged position and raise the tiller above the surface of the ground. With the tractor engine running, engage the tiller clutch and lower the tiller into contact with the ground. As the tiller works into the soil, slowly release the tractor clutch and move ahead. When coming to the end of a row, raise the tiller free of the ground before turning around.

Effective operation of the tiller will depend in a large degree upon the operator. For example; when intending to till a sod area into a seed bed for gardening, it obviously will require several passes over the same path to break the sod and ground into fine particles suitable for a seed bed. Depending upon the nature of the soil, it will be desirable to alter the depth settings for the tiller on succeeding passes until the desired depth is reached. When tilling in soil that has been previously worked, it may be possible to till to the desired depth from the start.

The depth of tilling is regulated by the ground speed of the tractor. The slower the ground speed the deeper the tilling action.

IMPORTANT

When using the Rotary Tiller on a tractor equipped with the power lift attachment, the power lift attachment lever must be in the float position. Operating the tiller in the hold position will cause the tiller tines to propel the tractor at a dangerous speed.

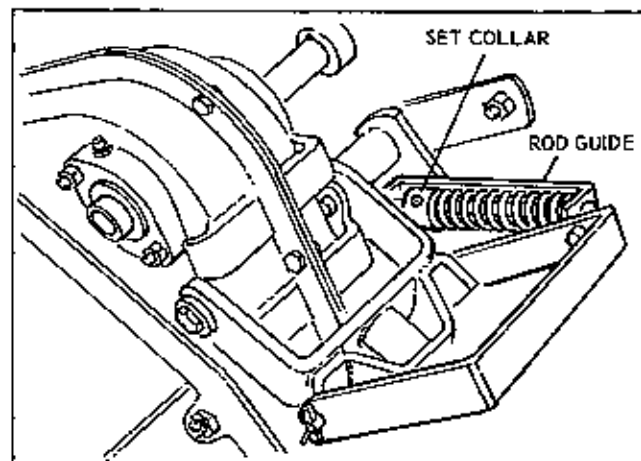
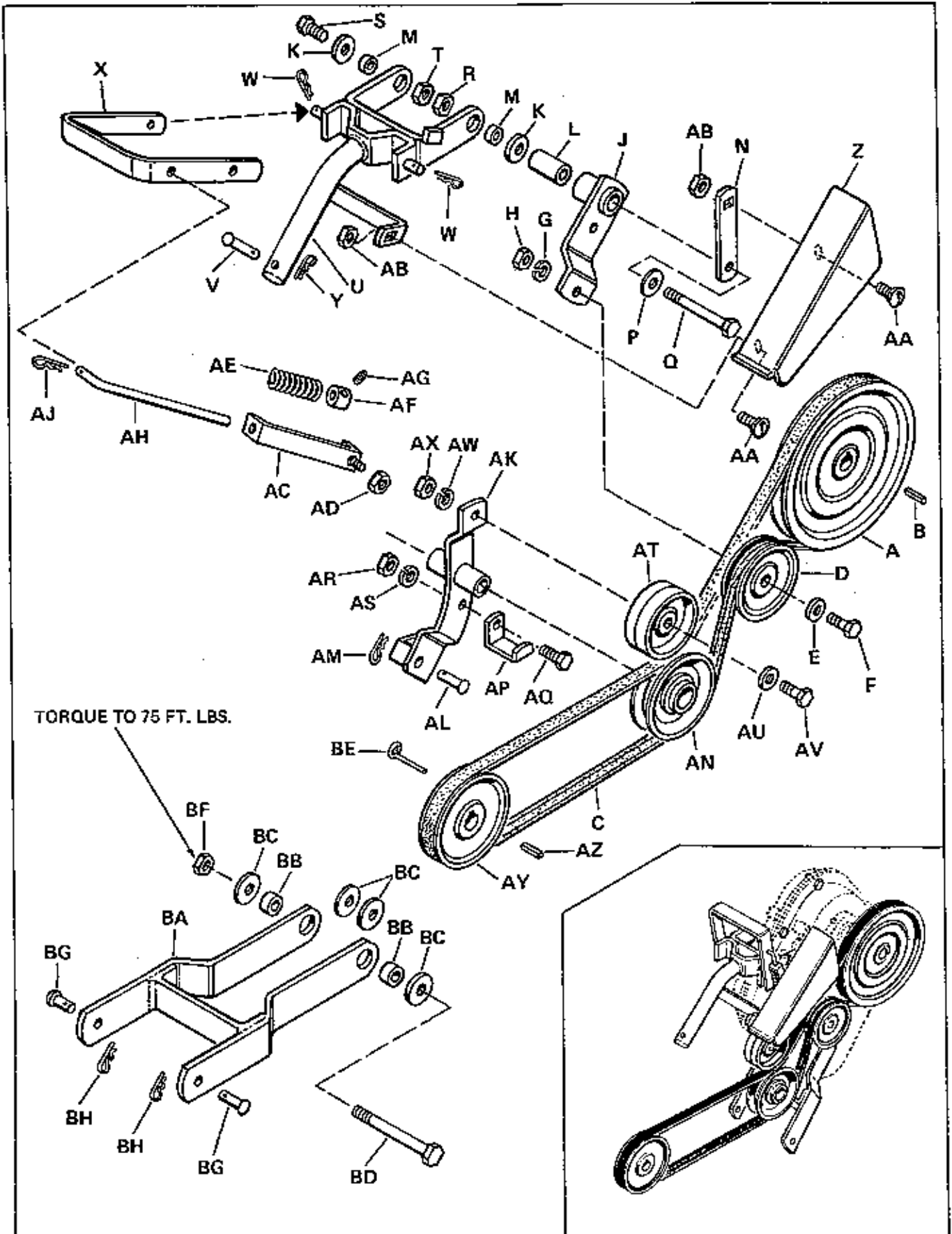


Figure 4

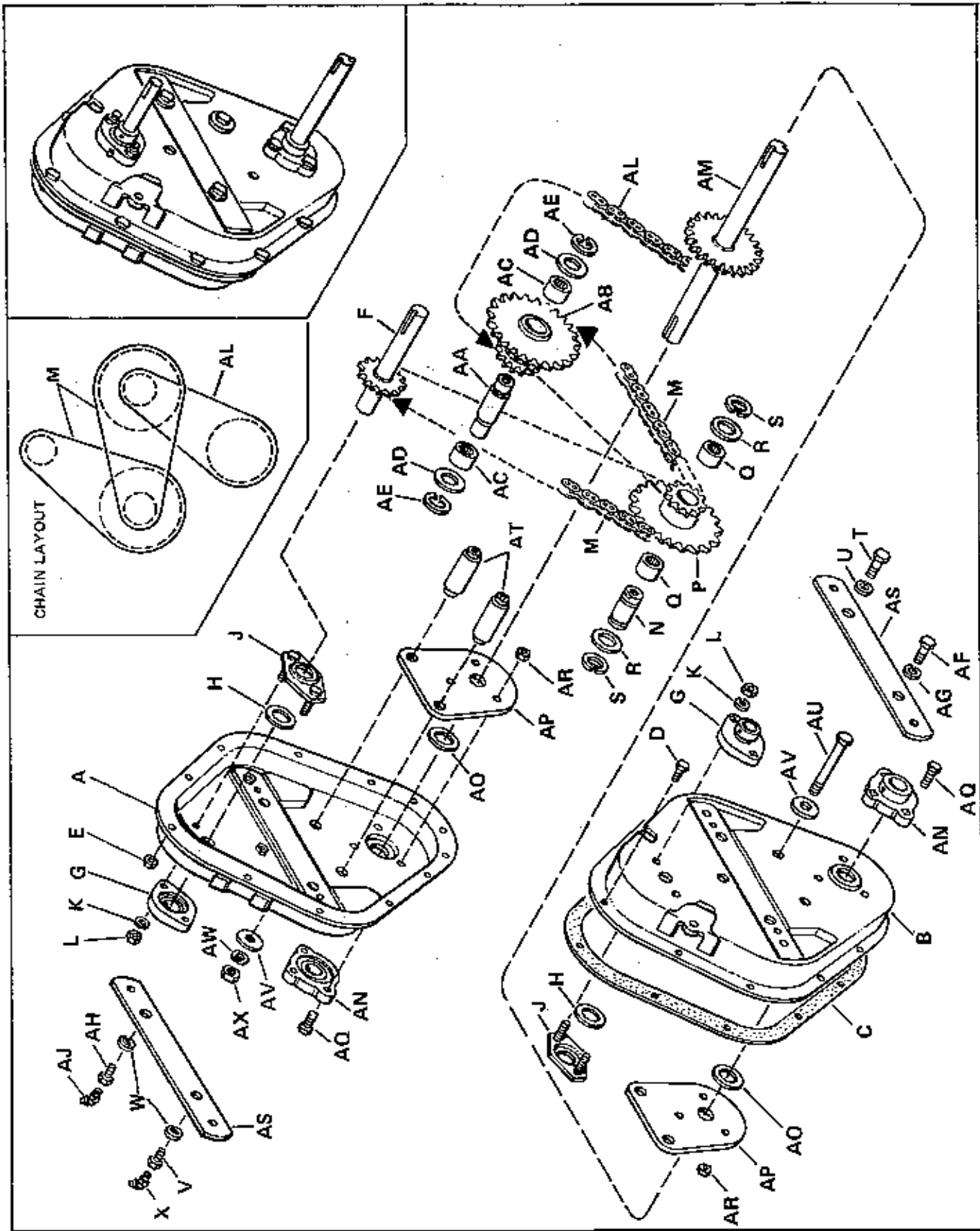
TILLER DRIVE GROUP



TILLER DRIVE GROUP

Ref. Let.	Part No.	Description
A	105302	Pulley
B	157427	Key
C	105340	"V" Belt, 12 H.P.
C	105287	"V" Belt, 10 H.P.
D	105306	Pulley
E	719002	Plain Washer, 5/16"
F	705016	Hex. Capscrew, 3/8"-16 x 1-1/4"
G	720002	Lock Washer, 3/8"
H	717003	Full Hex. Nut, 3/8"-16
J	105295	Clutch Lever Assembly
K	719001	Plain Washer, 3/8"
L	105339	Spacer
M	105346	Spacer
N	105359	Rear Support Belt Guard
P	719003	Plain Washer, 7/16"
Q	715093	Hex. Capscrew, Gr. 5, 7/16"-14 x 3-1/2"
R	717519	Full Hex. Locknut, 7/16"
S	715092	Hex. Capscrew, Gr. 5, 7/16"-14 x 1-1/4"
T	717519	Full Hex. Locknut, 7/16"-14
U	105329	Lift Bar Assembly
V	118053	Pin
W	106787	Spring Clip
X	105303	Clutch Handle
Y	106787	Spring Clip
Z	105326	Belt Guard
AA	703005	Carriage Bolt, 5/16"-18 x 3/4"
AB	718006	Wing Nut, 5/16"- 18
AC	158406	Rod Guide Assembly
AD	717511	Full Hex. Nut Lock, 5/16"- 18
AE	8191046	Spring
AF	8191022	Set Collar
AG	713001	Cup Pt. Sq. Hd. Setscrew, 1/4"-20 x 3/8"
AH	105343	Clutch Rod
AJ	106787	Spring Clip
AK	105322	Arm Idler Assembly
AL	156306	Pin
AM	106787	Spring Clip
AN	105380	Idler Pulley
AP	105351	Belt Guard, 1/8 x 1 x 4-1/8"
AQ	705031	Hex. Capscrew, 3/8"-16 x 7/8"
AR	717003	Full Hex. Nut, 3/8"-16
AS	720002	Lock Washer, 3/8"
AT	164083	Idler Pulley
AU	719002	Plain Washer, 5/16"
AV	705016	Hex. Capscrew, 3/8"-16 x 1-1/4"
AW	720002	Lock Washer, 3/8"
AX	717003	Full Hex. Nut, 3/8"-16
AY	164202	Pulley
AZ	8081081	Key
BA	105328	Frame Assembly
BB	105386	Spacer
BC	719004	Plain Washer, 1/2"
BD	715097	Hex. Capscrew, 1/2"-13 x 5"
BE	720004	Lock Washer, 1/2"
BF	717006	Full Hex. Nut, 1/2" - 13
BG	155037	Pin
BH	106788	Spring Clip
BJ	167032	Belt Stop

HOUSING GROUP



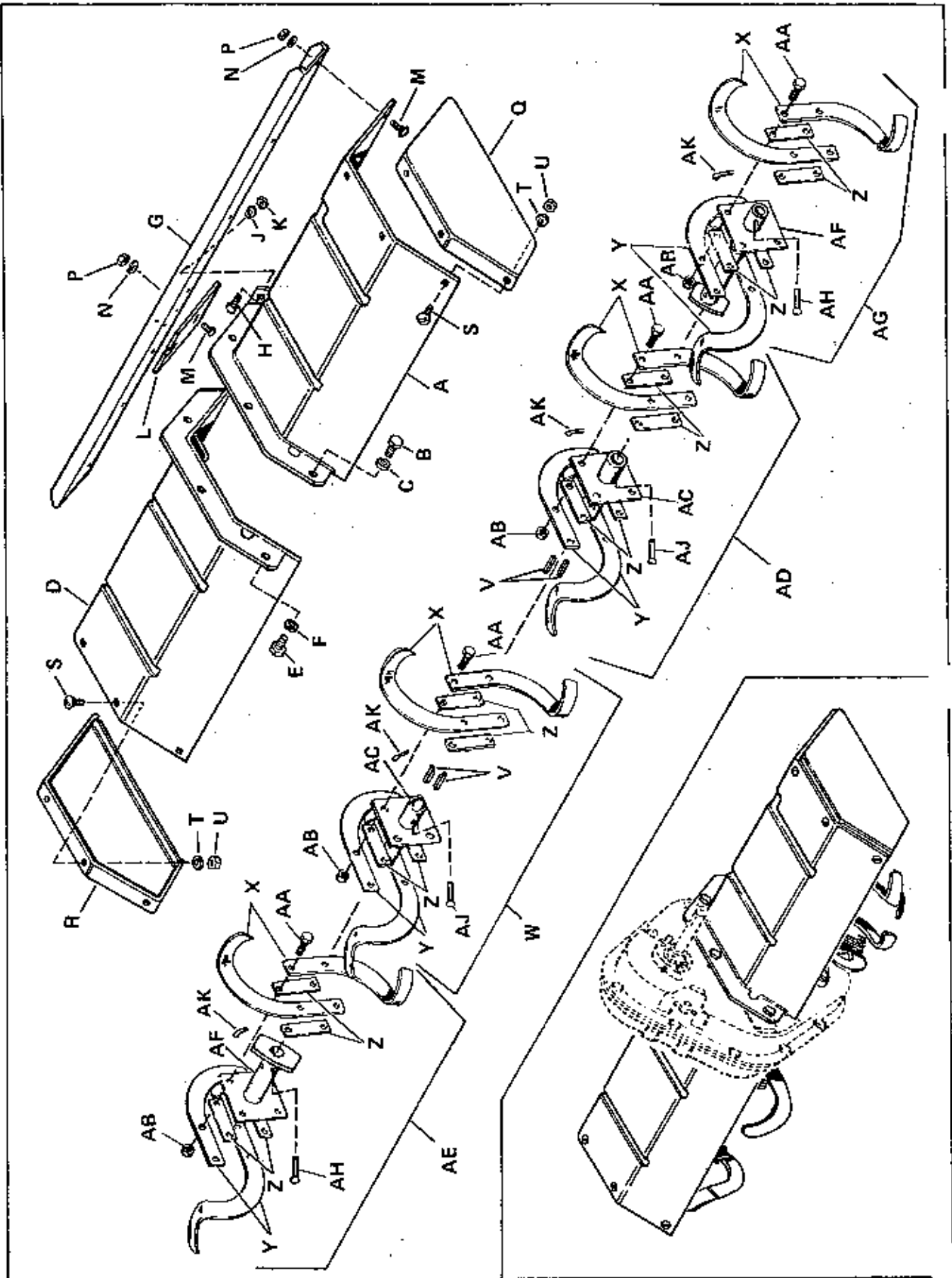
HOUSING GROUP

Ref. Let.	Part No.	Description
A	105366	Half Case Assembly, R.H.
B	105367	Half Case Assembly, L.H.
C	105373	Gasket
D	705012	Hex. Capscrew, 5/16"-18 x 5/8"
E	717511	Full Hex. Locknut, 5/16"-18
F	105298	Pulley Shaft Assembly
G	105311	Bearing
H	105365	Seal
J	105313	Upper Bearing Plate Assembly
K	720001	Lock Washer, 5/16"
L	717001	Full Hex. Nut, 5/16"-18
M	105336	Chain
N	105292	Inter. Spacer
P	105291	Sprocket Assembly
Q	105195	Roller Bearing
R	8281014	Washer
S	105194	Retaining Ring
T	706022	Hex. Capscrew (L.H. Side), 1/2"-20 x 1 1/4"
U	720004	Lock Washer, 1/2"
V	105132	Bolt, (R.H. Side)
W	720004	Lock Washer, 1/2"
X	727004	Grease Fitting
Y*	105363	Grease Cap

Ref. Let.	Part No.	Description
AA	105192	Inter. Spacer
AB	105301	Sprocket Assembly
AC	105195	Roller Bearing
AD	8281014	Washer
AE	105194	Retaining Ring
AF	706022	Hex. Capscrew (L.H. Side), 1/2"-20 x 1 1/4"
AG	720004	Lock Washer, 1/2"
AH	105132	Bolt (R. H. Side)
AJ	727004	Grease Fitting
AK*	105363	Grease Cap
AL	105345	Chain
AM	105297	Tine Shaft Assembly
AN	105309	Bearing
AO	105357	Seal
AP	105307	Reinf. Plate
AQ	715091	Thread Forming Screw, 3/8"-16 x 1 1/2"
AR	717524	Hex. Jam Locknut, 3/8"-16
AS	105320	Side Bar, 3/16" x 2" x 13-1/16"
AT	105360	Spacer, 1" x 7/32" x 3 1/32"
AU	705068	Hex. Capscrew, 1/2"-13 x 4"
AV	719004	Plain Washer, 1/2"
AW	720004	Lock Washer, 1/2"
AX	717006	Full Hex. Nut, 1/2"-13

* Not Shown

DEFLECTOR AND TINE GROUP



DEFLECTOR AND TINE GROUP

Ref. Let.	Part No.	Description
A	105370	Deflector Assembly, L.H.
B	715096	Hex. Capscrew, 3/8"-16 x 1"
C	720002	Lock Washer, 3/8"
D	105369	Deflector Assembly, R.H.
E	715096	Hex. Capscrew, 3/8"-16 x 1"
F	720002	Lock Washer, 3/8"
G	105330	Reinf. Channel
H	705031	Hex. Capscrew, 3/8"-16 x 7/8"
J	720002	Lock Washer, 3/8"
K	717003	Full Hex. Nut, 3/8"-16
L	105354	Shield
M	702015	Carriage Bolt, 5/16"-18 x 3/4"
N	720001	Lock Washer, 5/16"
P	717001	Full Hex. Nut, 5/16"-18
Q	105273	Plate Deflector End, L.H.
R	105274	Plate Deflector End, R.H.
S	703011	Carriage Bolt, Short, 5/16"-18 x 1/2"
T	720001	Lock Washer, 5/16"
U	717001	Full Hex. Nut, 5/16"-18
V	105337	Key
W	105387	Inner Tine Blade Assembly, R.H.
X	105375	Tine Blade, L.H.
Y	105376	Tine Blade, R.H.
Z	105377	Spacer, 1/4" x 1" x 4-1/4"
AA	715095	Hex. Capscrew, 7/16"-20 x 2"
AB	717512	Full Hex. Locknut, 7/16"-20
AC	105381	Hub. Attach. Assembly
AD	105388	Inner Tine Blade Assembly, L.H.
AE	105390	Outer Tine Blade Assembly, R.H.
AF	105384	Tine Plate Assembly
AG	105389	Outer Tine Blade Assembly
AH	118053	Pin Tine Shaft
AJ	105249	Inner Pin
AK	722009	Cotter Pin, 1/8" x 3/4"
AL	715024	Hex Capscrew, 3/8"-16 x 5/8"

DECALS

103031 Safety Decal
103100 Serial No. Plate
106719 Film, Simplicity

WARRANTY

The company warrants Simplicity Products to be free from defects in material and workmanship except the company makes no warranty express or implied with respect to tires, engines and engine accessories which generally are warranted by their respective manufacturers. Any part covered by this warranty which is proven defective within one year, under normal use, from date of purchase, will be replaced free of charge, f.o.b. Port Washington, Wisconsin, provided such part is returned to factory transportation charges prepaid and is found to be defective upon examination at the factory. The company is not obligated under this warranty to bear cost of labor or delivery charges in replacement of defective parts. This warranty does not apply to any Simplicity Products altered outside of Simplicity's factory. Such replacement of defective parts shall be the exclusive remedy and in no event shall Simplicity be liable for consequential damages. EXCEPT AS SPECIFICALLY PROVIDED HEREIN, THERE ARE NO WARRANTIES WHICH EXTEND BEYOND THE DESCRIPTION ON ANY SIMPLICITY PRODUCT.

Should warranty service be necessary, the information below should be presented to the authorized SIMPLICITY Dealer.

Customer's Name _____

Address _____

Mfg. No. _____ Serial No. _____

Date Purchased _____

Purchased From _____

Address _____

Engine Model No. _____ Serial No. _____ Type No. _____

To obtain replacement parts from dealer, advise quantity, part number and description.



Remember...

FOR YOUR SAFETY

1. ALWAYS STOP ENGINE BEFORE LEAVING MACHINE
2. ALWAYS STOP ENGINE BEFORE SERVICING OR ADJUSTING MACHINE OR EQUIPMENT
3. ALWAYS KEEP HANDS, FEET AND CLOTHING AWAY FROM POWER-DRIVEN PARTS

WARRANTY

The company warrants Simplicity Products to be free from defects in material and workmanship except the company makes no warranty express or implied with respect to tires, engines and engine accessories which generally are warranted by their respective manufacturers. Any part covered by this warranty which is proven defective within one year, under normal use, from date of purchase, will be replaced free of charge, f. o. b. Port Washington, Wisconsin, provided such part is returned to factory transportation charges prepaid and is found to be defective upon examination at the factory. The company is not obligated under this warranty to bear cost of labor or delivery charges in replacement of defective parts. This warranty does not apply to any Simplicity Products altered outside of Simplicity's factory. Such replacement of defective parts shall be the exclusive remedy and in no event shall Simplicity be liable for consequential damages, EXCEPT AS SPECIFICALLY PROVIDED HEREIN, THERE ARE NO WARRANTIES WHICH EXTEND BEYOND THE DESCRIPTION ON ANY SIMPLICITY PRODUCT.

Should warranty service be necessary, the information below should be presented to the authorized SIMPLICITY Dealer.

Customer's Name _____

Address _____

Mfg. No. _____ Serial No. _____

Date Purchased _____

Purchased From _____

Address _____

Engine Model No. _____ Serial No. _____ Type No. _____

To obtain replacement parts from dealer, advise quantity, part number and description.

TINE WARRANTY

Simplicity Manufacturing Company warrants rotary tiller tines against breakage for the period not to exceed the normal life of the rotary tiller; and will replace broken tines directly to the customer at no charge; provided broken tines are returned prepaid to the Company's service department, Port Washington, Wisconsin.



SIMPLICITY MANUFACTURING COMPANY, INC.
PORT WASHINGTON, WISCONSIN 53074