



EWS 6, 10, 15, 25 Litres

Discover why
A. O. Smith Water Heaters
are such a hot favourite in America



A. O. Smith Water Heaters. Good looking. Technologically far ahead.

Glass Coated Element



Glass Coated Element reduces electricity bills and increases the life of the heating element.

Changeable Decorative Panels



Changeable Front Panels in eight colours to match your bathroom.

High Strength Steel Tank



23% stronger than stainless steel tanks. Ideal for high rise apartments where water pressure is high.

Blue Diamond Glass Lining



Blue Diamond Glass Lining offers the best protection against tank corrosion.

Saves Energy

AO SmithTM
Innovation has a name.

Key Features



Glass Coated Element reduces electricity bills and increases the life of the heating element

- 1 Scale and sediment build up on the surface of standard elements leading to higher electricity bills and premature failure. An A. O. Smith Glass Coated Element helps to prevent scale formation on the element reducing your electricity bill and extending the life of the element.



Blue Diamond Glass Lining offers the best protection against tank corrosion

- 2 The new Blue Diamond technology with enhanced levels of zircon increases the life of the water heater. The lining is proven to be stronger and more water-resistant than any other in the industry.



Anode Rod protects the tank from corrosion

- 3 The tank has an anode rod system with a stainless steel core that is designed to protect the tank from corrosive elements. The system uses a special cathodic action to fight the corrosive elements which in turn prolongs the life of the water heater.



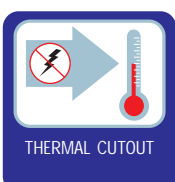
Safety Valve discharges water in case pressure or temperature exceeds preset limits

- 4 This water heater has a temperature and pressure safety valve. The valve is designed to automatically relieve and discharge water in case the pressure or temperature overshoots the preset limits. [Not seen in picture]



Temperature Control Knob set the temperature

- 5 The Temperature Control Knob allows you to set the temperature between 25°C and 75°C.



Thermal Cutout cuts off electrical power to the unit if a fault occurs, ensuring safety

- 6 In case a fault occurs and the water temperature exceeds the highest preset temperature on the thermostat, the breaker rapidly cuts off the live line and the zero line simultaneously to guarantee safety.

A. O. Smith ColourMatch System™



The A. O. Smith ColourMatch System™ allows your water heater to match the colours of your bathroom.

Call the A. O. Smith Customer Care Centre [1.800.103.2468] to order one of the Decorative Front Panel colour options and we will have it delivered free of charge.



White



Blue



Steel Grey



Lavender



Ivory



Red Brick



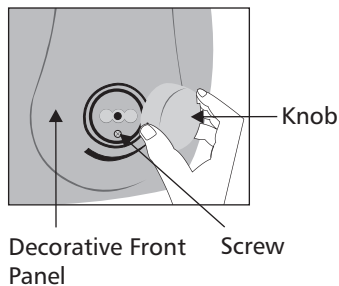
Olive



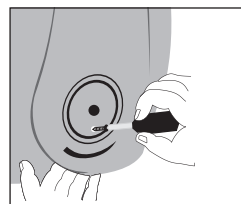
Brown

Changing the Decorative Front Panel

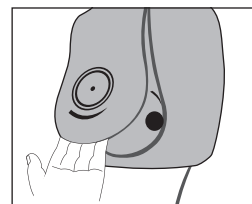
Pull out the Knob



Unscrew



Remove the Decorative Front Panel to change



Warranty

The tank carries a 7 year warranty. The heating element has a 2 year warranty that can be extended to 4 years if registered within the first 2 months of purchase. All other parts carry a 2 year warranty.

About A. O. Smith

In 1936, A. O. Smith developed and patented a process to glass-line water heaters. Over the years, A. O. Smith has gained the respect and support of homeowners, contractors, architects, and specifying engineers in over 60 countries by providing innovative energy efficient products designed for years of trouble-free service.

Today, A. O. Smith Water Products Company, the largest water heater manufacturer in North America; a division of A. O. Smith Corporation, is a global leader in innovative technology and energy efficient solutions.

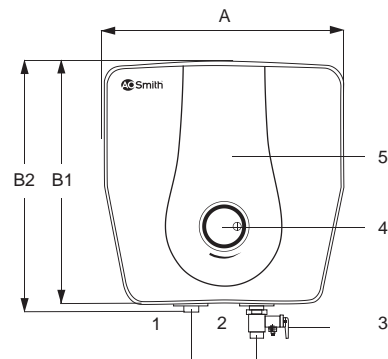
A. O. Smith India Water Heater Private Limited was established in 2005. Since this time, the A. O. Smith team has conducted numerous focus group studies and spent an endless number of research hours determining what India wanted in a water heater. Backed by 70 years of proven technological advances A. O. Smith India has created a stylish design with features demanded by the Indian consumer.

Specifications

Model	EWS-6	EWS-10	EWS-15	EWS-25
Capacity [ltrs.]	6	10	15	25
Power Supply	← 230V / 50Hz →			
Wattage [kW]	2	2	2	2
Max Stdg. Loss [kWh/24h/45°C diff.] [as per ISI 2082:1993 amended in 2002]	0.792	0.99	1.138	1.386
Actual Stdg. Loss [kWh/24h/45°C diff.]	0.51	0.62	0.75	0.924
Reheating Time for 50°C rise [in min]	16	33	48	72
Rated Pressure [bar]	8	8	8	8

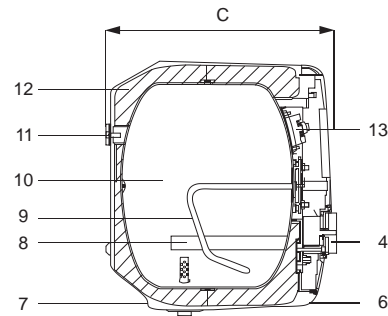
Dimensions

Model	EWS-6	EWS-10	EWS-15	EWS-25
A [mm]	317	373	373	444
B1 [mm]	317	373	373	444
B2 [mm]	326	380	382	453
C [mm]	258	277	348	383



Parts Descriptors

Part Descriptors	
1 Outlet	8 Anode
2 Inlet	9 Heating Element
3 Safety Valve	10 Tank
4 Thermostat Knob	11 Installation Bracket
5 Decorative Front Panel	12 PU Insulation
6 Front Jacket	13 Thermal Cutout
7 Back Jacket	



4 YEARS

Register your product with the A. O. Smith Customer Care Centre [1.800.103.2468] within two months of purchase. You will get an extended warranty on the element [from 2 years to 4 years]. You can also get an additional changeable Decorative Front Panel in a colour of your choice.

Extended Warranty

AO SmithTM
Innovation has a name.