

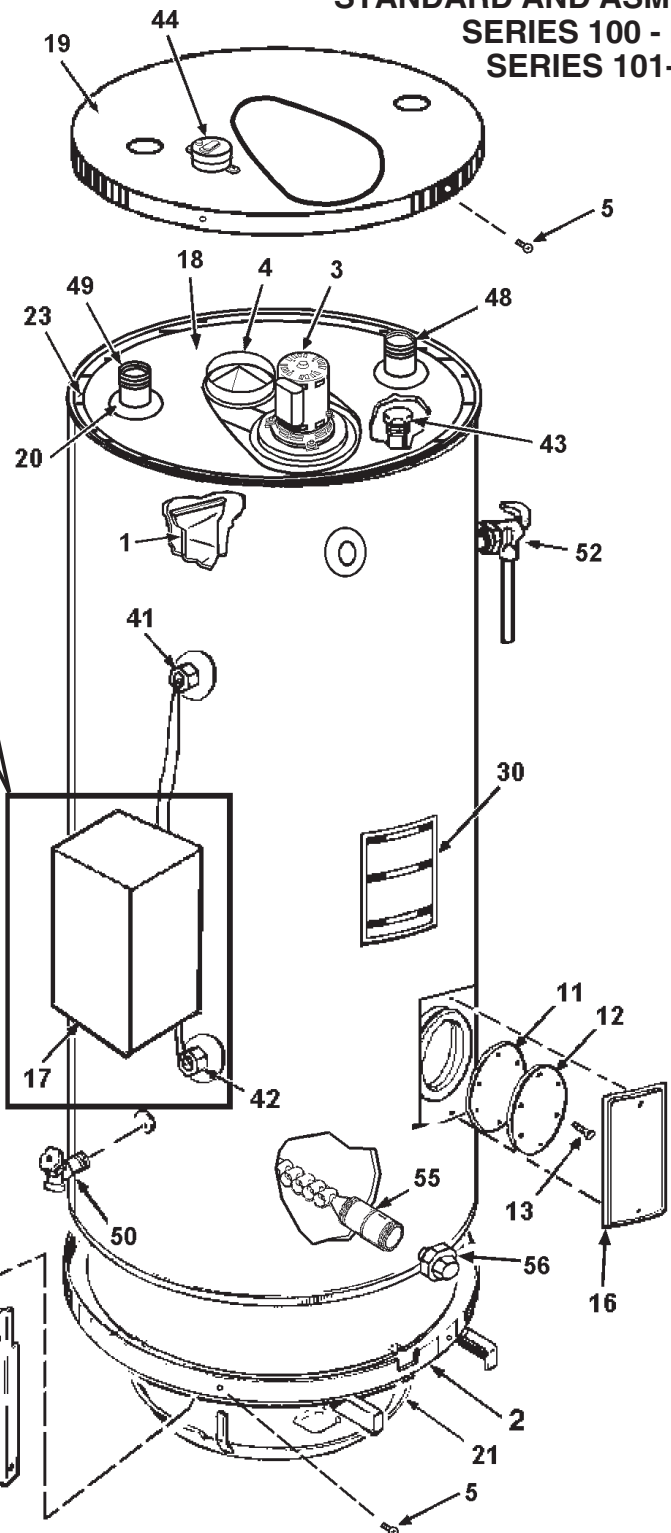
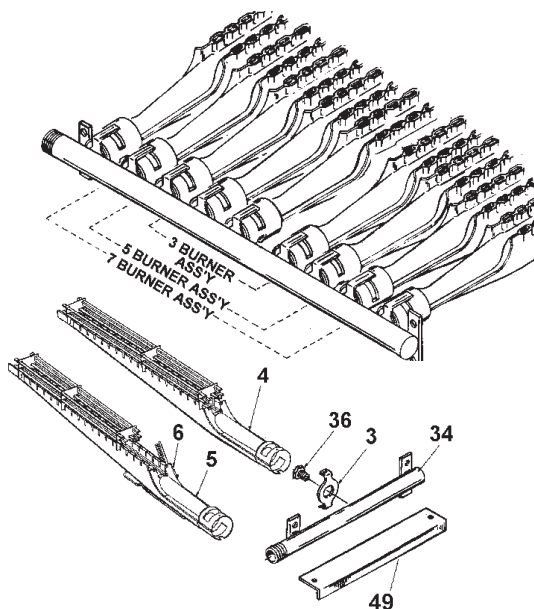
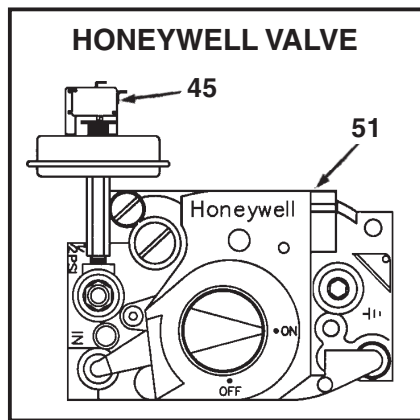
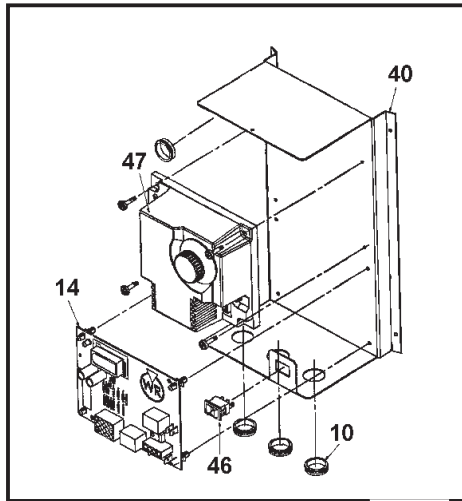
# A.O. SMITH

# PSD-3-406/A GAS

## WATER PRODUCTS COMPANY

### COMMERCIAL TANK TYPE WATER HEATER REPLACEMENT PARTS LIST

MODELS BTI 120 thru 400/A:  
STANDARD AND ASME (A)  
SERIES 100 - NAT.  
SERIES 101- L.P.



**A.O. SMITH WATER PRODUCTS CO., INC.**  
5621 W. 115TH STREET • ALSIP, ILLINOIS 60803  
PHONE: 1-800-433-2545 • FAX: 1-800-433-2515  
website: [www.hotwater.com](http://www.hotwater.com) • email: [parts@hotwater.com](mailto:parts@hotwater.com)

Item	Description	BTI	BTI	BTI	BTI	BTI
		120	154	180	199	200/A
1	Baffle, Flue .....	192199-5	194732	194732	194732	194715
2	Base, Jacket Assembly .....	193863	193863	194166	194166	194068
<b>Blower Assembly</b>						
3	Blower .....	194408	194408	194408	194408	194408
4	Outlet Assembly, Exhaust .....	194424	194424	194424	194424	194424
5	Screw, TEK .....	194613	194613	194613	194613	194613
6	Burner, Orifice Bracket, Main .....	98044	98044	98044	98044	98044
7	Burner Orifice, Main (Nat.) .....	76243-32	76243-30	76243-35	76243-32	76243-32
	Burner Orifice, Main (L.P.) .....	76243-49	76243-46	76243-50	76243-49	76243-48
8	Burner Assembly, Main .....	<u>192322</u>	<u>192322</u>	<u>192322</u>	<u>192322</u>	98047
9	Burner w/Ignitor Bracket, Main .....	194630	194630	194630	194630	194717
10	Bushing .....	193404	193404	193404	193404	193404
<b>Cleanout Assembly</b>						
11	Gasket .....	<u>99038</u>	<u>99038</u>	<u>99038</u>	<u>99038</u>	<u>99038</u>
12	Pressure Plate .....	99037	99037	99037	99037	99037
#13	Screws, Machine .....	69852-1(6)	69852-1(6)	69852-1(6)	69852-1(6)	69852-1(6)
14	Control, Ignition Board .....	<u>194392</u>	<u>194392</u>	<u>194392</u>	<u>194392</u>	<u>194392</u>
15	Cover, Burner .....	98185	98185	98185-3	98185-3	98185-3
16	Cover, Cleanout .....	181260	181260	181260	181260	181260
17	Cover, Control Box .....	194395	194395	194395	194395	194395
18	Cover, Inner .....	194514-4	194514-3	194514-1	194514-1	194388-3
19	Cover, Jacket .....	194523	194523	194523	194523	194389
20	Collar, Pipe Nipple .....	74060	74060	74060	74060	74060
21	Floor Shield Assembly .....	193864-1	193864-1	193864-1	193864-1	193984
22	Ignitor, Flame Sensor .....	<u>194405</u>	<u>194405</u>	<u>194405</u>	<u>194405</u>	<u>194405</u>
23	Insulation, Top .....	194439	194439	194439	194439	194439
*24	Cleanout .....	193914	193914	193914	193914	193914
*25	Flammable Vapors .....	192872	192872	192872	192872	192872
*26	Help Line .....	190600	190600	190600	190600	190600
*27	Instruction .....	170345	170345	170345	170345	170345
*28	Instruction, Bilingual .....	193912	193912	193912	193912	193912
*29	Instruction, ECO .....	192282-1	192282-1	192282-1	192282-1	192282-1
30	L&O Label .....	194401	194401	194401	194401	194401
*31	Master Fit .....	193859	193859	193859	193859	193859
*32	Relief Valve .....	200042	200042	200042	200042	200042
*33	Ultra Coat .....	193860	193860	193860	193860	193860
*34	Water Inlet .....	161040	161040	161040	161040	161040
*35	Water Outlet .....	161040-1	161040-1	161040-1	161040-1	161040-1
*36	Wiring Diagram .....	194400	194400	194400	194400	194400
37	Leg .....	194115	194115	194115	194115	194115
38	Manifold .....	76244	76244	76244-2	76244-2	76244-2
*39	Manual, Instruction .....	194780	194780	194780	194780	194780
40	Plate, Mounting .....	194391	194391	194391	194391	194391
41	Probe/ECO, Upper Thermostat .....	<u>194396</u>	<u>194396</u>	<u>194396</u>	<u>194396</u>	<u>194396</u>
42	Probe/Lower Thermostat .....	<u>194397</u>	<u>194397</u>	<u>194397</u>	<u>194397</u>	<u>194397</u>
43	Rod, Anode .....	180618-42	180618-42	180618-42	180618-42	180618-42
44	Switch, Blower/Prover .....	<u>194411</u>	<u>194411</u>	<u>194411</u>	<u>194411</u>	<u>194411</u>
45	Switch, Low Gas Pressure .....	<u>191149-5</u>	<u>191149-5</u>	<u>191149-5</u>	<u>191149-5</u>	<u>191149-5</u>
46	Switch, Off/On .....	193243	193243	193243	193243	193243
47	Thermostat, Digital .....	194393	194393	194393	194393	194393
48	Tube, Inlet .....	192626-1	192626-1	192626-1	192626-1	192626-1
49	Tube, Outlet .....	192627-1	192627-1	192627-1	192627-1	192627-1
50	Valve, Drain .....	<u>26273-6</u>	<u>26273-6</u>	<u>26273-6</u>	<u>26273-6</u>	<u>26273-6</u>
51	Valve, Gas - (Nat.) .....	<u>194536-1</u>	<u>194536-1</u>	<u>194536-1</u>	<u>194536-1</u>	<u>194536-1</u>
	Valve, Gas - (L.P.) .....	<u>194536-3</u>	<u>194536-3</u>	<u>194536-3</u>	<u>194536-3</u>	<u>194536-3</u>
52	Valve, T&P .....	<u>192467</u>	<u>192467</u>	<u>192467</u>	<u>192467</u>	<u>192467</u>
*53	Wire Harness - Control (Nat.) .....	194545	194545	194545	194545	194545
	Wire Harness - Control (LP) .....	194399	194399	194399	194399	194399
*54	Wire Harness - Power .....	194398	194398	194398	194398	194398
55	The Eliminator .....	195100	195098	195098	195098	195098
56	(1 1/2") galvanized pipe union .....	195127	195127	195127	195127	195127

Item	Description	BTI 250/A	BTI 275/A	BTI 310/A	BTI 366/A	BTI 400/A
1	Baffle, Flue .....	194718	194715	194705	194705	194705
2	Base, Jacket Assembly .....	194068	194068	193986	193986	193986
<b>Blower Assembly:</b>						
3	Blower .....	194408	194408	194408	194408	194408
4	Outlet Assembly, Exhaust .....	194424	194424	194424	194424	194424
5	Screw, TEK .....	194613	194613	194613	194613	194613
6	Burner, Orifice Bracket, Main .....	98044	98044	98044	98044	98044
7	Burner Orifice, Main (Nat.) .....	76243-30	76243-29	76243-35	76243-32	76243-31
	Burner Orifice, Main (L.P.) .....	76243-45	76243-44	76243-51	76243-49	76243-48
8	Burner Assembly, Main .....	<u>98047</u>	<u>98047</u>	<u>192322</u>	<u>192322</u>	<u>192322</u>
9	Burner w/Ignitor Bracket, Main .....	194717	194717	194717	194611	194611
10	Bushing .....	193404	193404	193404	193404	193404
<b>CLEANOUT Assembly:</b>						
11	Gasket .....	<u>99038</u>	<u>99038</u>	<u>99038</u>	<u>99038</u>	<u>99038</u>
12	Pressure Plate .....	<u>99037</u>	<u>99037</u>	<u>99037</u>	<u>99037</u>	<u>99037</u>
#13	Screws, Machine .....	69852-1(6)	69852-1(6)	69852-1(6)	69852-1(6)	69852-1(6)
14	Control, Ignition Assembly .....	<u>194392</u>	<u>194392</u>	<u>194392</u>	<u>194392</u>	<u>194392</u>
15	Cover, Burner .....	98185-3	98185-3	98185-4	98185-4	98185-4
16	Cover, Cleanout .....	181260	181260	181260	181260	181260
17	Cover, Control Box .....	194395	194395	194395	194395	194395
18	Cover, Inner .....	194388-5	194388-5	194388-5	194388-5	194388-5
19	Cover, Jacket .....	194389	194389	194389	194389	194389
20	Collar, Pipe Nipple .....	74060	74060	74060	74060	74060
21	Floor Shield Assembly .....	193984	193984	193984	193984	193984
22	Ignitor, Flame Sensor .....	<u>194405</u>	<u>194405</u>	<u>194405</u>	<u>194405</u>	<u>194405</u>
23	Insulation, Top .....	194439	194439	194439	194439	194439
<b>LABELS:</b>						
*24	Cleanout .....	193914	193914	193914	193914	193914
*25	Flammable Vapors .....	192872	192872	192872	192872	192872
*26	Help Line .....	190600	190600	190600	190600	190600
*27	Instruction .....	170345	170345	170345	170345	170345
*28	Instruction, Bilingual .....	193912	193912	193912	193912	193912
*29	Instruction, ECO .....	192282-1	192282-1	192282-1	192282-1	192282-1
30	L&O Label .....	194401	194401	194401	194401	194401
*31	Master Fit .....	193859	193859	193859	193859	193859
*32	Relief Valve .....	200042	200042	200042	200042	200042
*33	Ultra Coat .....	193860	193860	193860	193860	193860
*34	Water Inlet .....	161040	161040	161040	161040	161040
*35	Water Outlet .....	161040-1	161040-1	161040-1	161040-1	161040-1
*36	Wiring Diagram .....	194400	194400	194400	194400	194400
37	Leg .....	194115	194115	194115	194115	194115
38	Manifold .....	76244-2	76244-2	76244-4	76244-4	76244-4
*39	Manual, Instruction .....	194780	194780	194780	194780	194780
40	Plate, Mounting .....	194391	194391	194391	194391	194391
41	Probe/ECO, Upper Thermostat .....	<u>194396</u>	<u>194396</u>	<u>194396</u>	<u>194396</u>	<u>194396</u>
42	Probe/Lower Thermostat .....	<u>194397</u>	<u>194397</u>	<u>194397</u>	<u>194397</u>	<u>194397</u>
43	Rod, Anode .....	180618-42	180618-42	180618-42	180618-42	180618-42
44	Switch, Blower Prover .....	194411	194411	194411	194411	194411
45	Switch, Low Gas Pressure .....	<u>191149-5</u>	<u>191149-5</u>	<u>191149-5</u>	<u>191149-5</u>	<u>191149-5</u>
46	Switch, Off/On .....	193243	193243	193243	193243	193243
47	Thermostat, Digital .....	194393	194393	194393	194393	194393
48	Tube, Inlet .....	192626-1	192626-1	192626-1	192626-1	192626-1
49	Tube, Outlet .....	192627-1	192627-1	192627-1	192627-1	192627-1
50	Valve, Drain .....	<u>26273-6</u>	<u>26273-6</u>	<u>26273-6</u>	<u>26273-6</u>	<u>26273-6</u>
51	Valve, Gas - (Nat.) .....	<u>194536-1</u>	<u>194536-1</u>	<u>194536</u>	<u>194536</u>	<u>194536</u>
	Valve, Gas - (L.P.) .....	<u>194536-3</u>	<u>194536-3</u>	<u>194536-2</u>	<u>194536-2</u>	<u>194536-2</u>
52	Valve, T&P .....	<u>192467</u>	<u>192467</u>	<u>192467</u>	<u>192467</u>	<u>192467</u>
*53	Wire Harness - Control (Nat.) .....	194545	194545	194545	194545	194545
	Wire Harness - Control (L.P.) .....	194399	194399	194399	194399	194399
*54	Wire Harness - Power .....	194398	194398	194398	194398	194398
55	The Eliminator .....	195098	195098	195098	195098	195098
56	(1 1/2") galvanized pipe union .....	195127	195127	195127	195127	195127

\*Items not illustrated. # Quantities shown in parenthesis next to part number. TBD To be determined.  
Part numbers underlined are recommended stock items for emergency replacement. (Consider gas used in your area only).  
Requests from PSD by giving all information such as model and series number, type of gas and specifications.

**A.O. SMITH**  
**WATER PRODUCTS**  
**COMPANY**



**A.O. SMITH WATER PRODUCTS CO., INC.**  
5621 W. 115TH STREET • ALSIP, ILLINOIS 60803  
PHONE: 1-800-433-2545 • FAX: 1-800-433-2515  
website: [www.hotwater.com](http://www.hotwater.com) • email: [parts@hotwater.com](mailto:parts@hotwater.com)