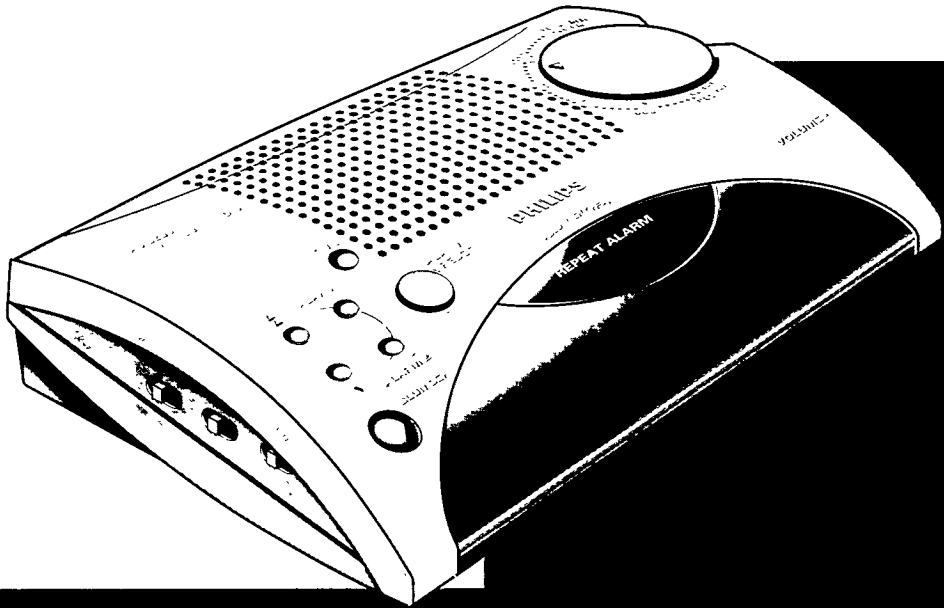


PHILIPS

AJ 3250 Clock Radio



Inventor of CD and DCC
DIGITAL
DCC
COMPACT CASSETTE
COMPACT
disc
DIGITAL AUDIO
a product from Philips

(E) España

Declaración de conformidad con normas

El que suscribe, en nombre y representación de:

**Consumer Electronics Factory
Philips Hong Kong Ltd.**

declara, bajo su propia responsabilidad, que el

equipo: **Radio reloj**
fabricado por: **Consumer Electronics Factory**
en: **Far East**
marca: **Philips**
modelo: **AJ 3250**

objeto de esta declaración, cumple con la normativa siguiente: Reglamento sobre Perturbaciones Radioeléctricas, Real Decreto 138/1989, Anexo V.

Hecho en: **Hong Kong, 01-08-1994**

Firma:

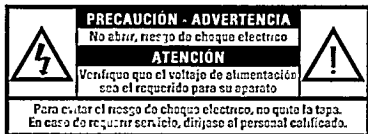


Nombre: **T.M. Siu**
Cargo: **Quality Manager**

(MEX) Mexico

NOM

Garantía.....Página 36



Es

necesario que lea cuidadosamente su instructivo de manejo.

(GB) English page 5 English

(F) Français page 8 Français

(E) Español página 11 Español

(D) Deutsch Seite 14 Deutsch

(NL) Nederlands pagina 17 Nederlands

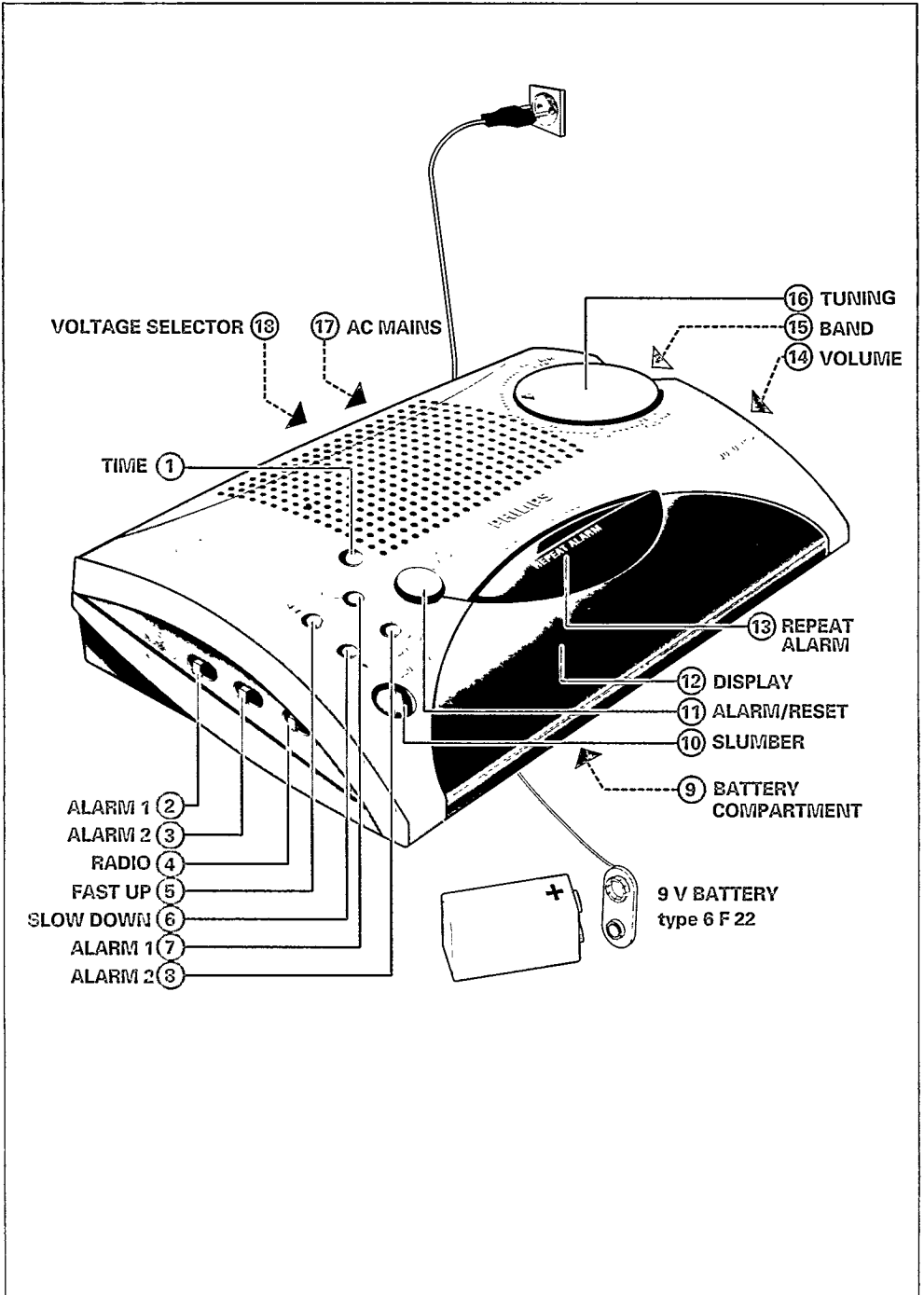
(I) Italiano pagina 20 Italiano

(P) Português página 23 Português

(DK) Dansk side 26 Dansk

(S) Svenska side 29 Svenska

(FIN) Suomi sivu 32 Suomi



VOLTAGE SELECTOR (18) (17) AC MAINS

TIME (1)

(16) TUNING
(15) BAND
(14) VOLUME

(13) REPEAT
ALARM

(12) DISPLAY
(11) ALARM/RESET
(10) SLUMBER

(9) BATTERY
COMPARTMENT

ALARM 1 (2)
ALARM 2 (3)
RADIO (4)
FAST UP (5)
SLOW DOWN (6)
ALARM 1 (7)
ALARM 2 (8)

9 V BATTERY
type 6 F 22

(AUS) Australia

Guaranteepage 35

(NZ) New Zealand

Guaranteepage 35

(MEX) México

(NOM)

Garantía.....page 36

(BR) Brasil

Garantíapage 36

IMPORTANT NOTES FOR USERS IN THE U.K.

Mains plug

This apparatus is fitted with an approved moulded 13 Amp plug. To change a fuse in this type of plug proceed as follows:

- Remove fuse cover and fuse
- Fit new fuse which should be a BS1362 5 Amp, A S T A or BSI approved type
- Refit the fuse cover

If the fitted plug is not suitable for your socket outlets, it should be cut off and an appropriate plug fitted in its place.

If the mains plug contains a fuse, this should have a value of 5 Amp. If a plug without a fuse is used, the fuse at the distribution board should not be greater than 5 Amp.

Note: The severed plug must be disposed to avoid a possible shock hazard should it be inserted into a 13 Amp socket elsewhere.

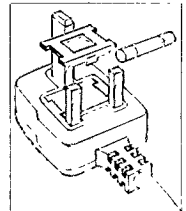
How to connect a plug

The wires in the mains lead are coloured with the following code: blue = neutral (N), brown = live (L). As these colours may not correspond with the colour markings identifying the terminals in your plug, proceed as follows:

- Connect the blue wire to the terminal marked N or coloured blue or black
- Connect the brown wire to the terminal marked L or coloured brown or red
- Do not connect either wire to the earth terminal in the plug, marked E (or ⏏) or coloured green (or green and yellow)

Before replacing the plug cover, make certain that the cord grip is clamped over the sheath of the lead - not simply over the two wires.

If in doubt, consult a qualified electrician.



Installation

BUTTONS

- (1) **TIME** - to set time
- (2) **ALARM** switch 1
 - **OFF** - alarm is switched off
 - **RAD(io)** - to wake by radio at alarm time 1
 - **BUZ(zer)** - To wake by buzzer at alarm time 1
- (3) **ALARM** switch 2
 - **OFF** - alarm is switched off
 - **RAD(io)** - to wake by radio at alarm time 2
 - **BUZ(zer)** - To wake by buzzer at alarm time 2
- (4) **RADIO** switch:
 - **ON** - radio is switched on
 - **OFF** - radio is switched off
- (5) **FAST UP** - fast forward \blacktriangle
- (6) **SLOW DOWN** - slow backward \blacktriangledown
- (7) **ALARM 1** - to set alarm 1
- (8) **ALARM 2** - to set alarm 2
- (9) **BATTERY COMPARTMENT**
- (10) **SLUMBER** - to slumber/set slumber time
- (11) **ALARM RESET** - to switch off the alarm for 24 hours
- (12) **DISPLAY**
- (13) **REPEAT ALARM/SLUMBER OFF** switch:
 - to switch off alarm temporarily
 - to switch off slumber function
- (14) **VOLUME** - to adjust sound level
- (15) **TUNING** - for station selection
- (16) **BAND** - for waveband selection
- (17) **AC MAINS**
- (18) **VOLTAGE selector** (not on all versions)

MAINS CONNECTION

- Check if the mains voltage as shown on the type plate on the base of the set corresponds to your local mains supply. If it does not, consult your dealer or service organisation.
 - *If the set is equipped with a VOLTAGE selector, set this selector to the local mains voltage.*
- As soon as you insert the mains plug into the wall socket, the figures on the display (12) will blink. This means that you must set the correct time.
- To disconnect the set from the mains completely, withdraw the mains plug from the wall socket.

Important note for users in the U.K.

When fitting a mains plug, follow the instructions on page 4.

Radio / Clock

RADIO

Switching on the radio

- Set the RADIO switch (4) to ON. The radio will now come on.
- Select the waveband with the BAND switch (16).
- Select the required station with the TUNING knob (15).
- Adjust the sound level with the VOLUME control (14).

Switching off the radio

- Set the RADIO switch (4) to OFF.

Aerials

- The AM aerial is built into the appliance. You may have to adjust the position of the clock radio slightly for better reception.
- For FM reception, there is an aerial wire at the rear of the clock radio. This wire must be extended and, if necessary adjusted slightly, in order to obtain good reception.

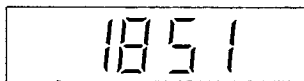
CLOCK

Clock display

- The clock display (12) shows the time and indicates whether you have switched on the alarm.

Setting the time

- Keep the TIME button (1) pressed and set the correct time as follows:
 - Fast forward with the FAST UP \blacktriangle button (5).
 - Slow backward with the SLOW DOWN \blacktriangledown button (6).
- Release the TIME button (1) The correct time appears in the display.



GB

Alarm

ALARM

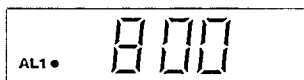
(GB)

Alarm time

If you wish to use the alarm, then you should first of all set the alarm time. The alarm time is the time at which you wish to be woken up. You may set two different alarm times. This can be useful if, for example, you need to be woken at a different time during the week than at the weekend.

Setting alarm time 1

- Press the ALARM 1 button (7). The display will now show alarm time 1:



- Keep the ALARM 1 button (7) pressed and set the required alarm time with the FAST UP (5) and SLOW DOWN (6) buttons.
- Release the ALARM 1 button (7). The display will now show the correct time.
- You can check alarm time 1 by simply pressing the ALARM 1 button (7).

Setting alarm time 2

- Press the ALARM 2 button (8). The display will now show alarm time 2:



- Keep the ALARM 2 button (8) pressed and set the required alarm time with the FAST UP (5) and SLOW DOWN (6) buttons.
- Release the ALARM 2 button (8). The display will now show the correct time.
- You can check alarm time 2 by simply pressing the ALARM 2 button (8).

ALARM ON

The clock radio can wake you in two ways by using the selectors OFF-RAD(io)-BUZ(zer) (2), (3). When you select RAD, you will be woken by the radio; if you select BUZ you will be woken by the buzzer. The display will show that the alarm is on.

Switching on alarm 1

- Set the ALARM switch (2) to RAD(io) or BUZ(zer)
- At the set alarm time 1 you will be woken by the radio or the buzzer.

Switching on alarm 2

- Set the the ALARM switch (3) to RAD(io) or BUZ(zer).
- At the set alarm time 2 you will be woken by the radio or the buzzer.

Switching on alarm 1+2

- The clock radio can also wake you at two different alarm times on the same day.
- Set the ALARM switches (2) and (3) to radio and/or buzzer.
- You will be woken at the set alarm time 1 and at the set alarm time 2 by the radio and/or the buzzer.

ALARM OFF

You can switch off the alarm in three ways:

Switching off the alarm for 6 minutes

- Press the REPEAT ALARM button (13). With this switch you temporarily switch off the alarm. After 6 minutes the alarm will sound again. If you press the REPEAT ALARM button again (13), the same will happen. If the REPEAT ALARM button (13) is not pressed again, the alarm will switch itself off after 59 minutes. The following day the alarm signal will sound again at the set alarm time.

Switching off the alarm for 24 hours

- Press the ALARM RESET button (11). The alarm is now switched off for 24 hours and will sound again the next day at the same time

Switching off the alarm completely

- Set the ALARM switches (2) and (3) to OFF. The alarm is now switched off. If you wish to be awakened the following day again, you must reset the ALARM switches to radio or buzzer before going asleep.

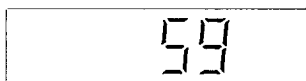
Slumbering

SLUMBERING

The clock radio has a built-in slumber function. With this function you can continue to listen to the radio while falling asleep. You do not need to switch off the radio yourself. This happens automatically. The period during which you continue to listen to the radio is called the slumber time. You can set this yourself. The maximum slumber time is 59 minutes.

Slumber time

- If you wish to slumber for 59 minutes, you should simply press the SLUMBER button ⑩. As long as you press the button, the display will show a slumber time of 59 minutes.



- If you wish to slumber for less than 59 minutes, then keep the SLUMBER button ⑩ depressed. The display will now slowly begin to count down from 59 to 00 minutes. As soon as the required slumber time is reached, release the button.

Slumber off

You can switch off the radio before the slumber time has elapsed:

- Press the SLUMBER OFF button ⑬ and the clock radio is switched off.

Note:

- The slumber function will not operate if RADIO switch (4) is ON, because the radio will then simply stay on.
- The slumber function has no influence on the alarm setting.
- During slumbering the radio is often on very low. Bear this in mind if you wish to be woken the next day, as you will perhaps sleep through the sound of the radio.

Additional

MAINS VOLTAGE

GB

Power breakdown

- As soon as the power fails, the whole appliance will be switched off.
- When the power returns, the figures on the display will begin to blink. The clock radio is thereby indicating that you must set the correct time and alarm time.

Battery

- You may fit a 9 volt battery in the clock radio. If the power then fails, the clock will in any case continue to operate. This will not however be visible, because the battery does not power the lighting of the clock display. As soon as the power returns the display will show the correct time.
To be perfectly clear: Alarm, radio and display do not operate on the battery.
- Insert the battery into the compartment in the base of the appliance (see illustration).

Recommendation

- Replace the battery once a year. It cannot be stated precisely how long the battery will last. This depends completely on how often and for how long the power fails. This may vary from country to country or even region to region.
- If you will not be using the appliance for any length of time, then it is advisable to remove the battery from the appliance, to avoid the possibility of leakage and consequently damage to the appliance.

MAINTENANCE

- If you do not intend to use the clock radio for a long time, it is better to remove the plug from the wall socket. In addition to this, it is advisable to remove the battery from the clock radio. This will prevent any danger of leakage and the clock radio will not be damaged.
- Fingerprints, dust and dirt on the clock radio should be removed using a clean and damp soft cloth or chamois leather. When cleaning do not use any products which contain abrasive agents or solvents (benzine, thinner, alcohol etc.). These might affect the housing.
- Rain, dampness and extreme heat may damage the clock radio. For this reason it should not be placed in full sun or close to heating elements for any period of time.

This product complies with the radio interference requirements of the European Community

The type plate is located on the base of the set

GUARANTEE FOR AUSTRALIA

The benefits given to the purchaser by this warranty are in addition to all other rights and remedies, which, under the Trade Practices Act or other Commonwealth or State law, the purchaser or owner has in respect of the product.

The Philips product carries the following warranties:

- C-series HiFi-systems 12 months.
- Compact Disc Players: 12 months.
- Home Audio Systems: 6 months.
- Clock radios, portable radios, cassette recorders, cassette players and radio recorders: 90 days.

Any defect in materials or workmanship occurring within the specified period from the date of delivery, will be rectified free of charge by the retailer from whom this product was purchased.

Note: Please retain your purchase docket to assist prompt service.

Conditions of this warranty

1. All claims for warranty service must be made to the retailer from whom this product was purchased. All transport charges incurred in connection with warranty service or replacement will be paid by the purchaser.
2. These warranties do not cover batteries and extend only to defects in materials or workmanship occurring under normal use of the product where operated in accordance with our instructions.

**Philips
Consumer Products Division
Technology Park
Figtree Drive, Australia Centre
Homebush 2140
New South Wales**

GUARANTEE FOR NEW ZEALAND

Thank-you for purchasing this quality Philips product.

Philips New Zealand Ltd guarantees this product against defective components and faulty workmanship for a period of 12 months. Any defect in materials or workmanship occurring within 12 months from the date of purchase subject to the following conditions will be rectified free of charge by the retailer from whom this product was purchased.

Conditions

1. The product must have been purchased in New Zealand. As proof of purchase, retain the original sales docket indicating the date of purchase.
2. The guarantee applies only to faults caused by defective components, or faulty workmanship on the part of the manufacturer.
3. The guarantee does not cover failures caused by misuse, neglect, normal wear and tear, accidental breakage, use on the incorrect voltage, use contrary to operating instructions, or unauthorised modification to the product or repair by an unauthorised technician.
4. Reasonable evidence (in the form of a sales docket) must be supplied to indicate that the product was purchased no more than 12 months prior to the date of your claim.
5. In the event of a failure, Philips shall be under no liability for any injury, or any loss or damage caused to property or products other than the product under guarantee.

This guarantee does not prejudice your rights under common law and statute, and is in addition to the normal responsibilities of the retailer and Philips.

How to claim

Should your Philips product fail within the guarantee period, please return it to the retailer from whom it was purchased. In most cases the retailer will be able to satisfactorily repair or replace the product.

However, should the retailer not be able to conclude the matter satisfactorily, or if you have other difficulties claiming under this guarantee, please contact

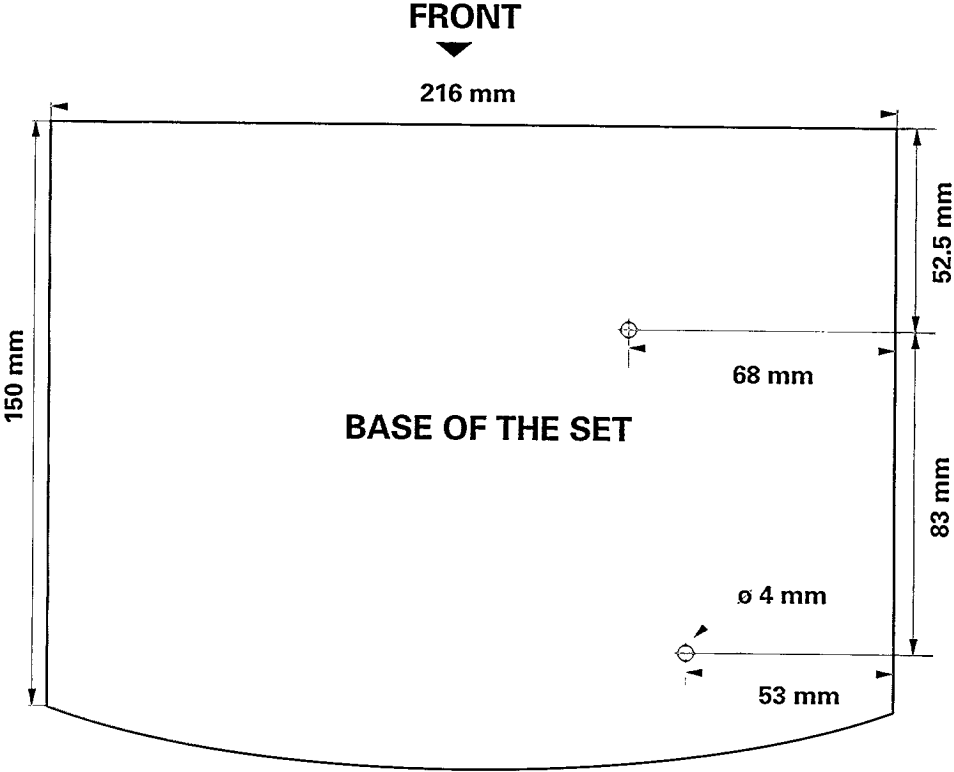
**The Guarantee Controller
Philips New Zealand Ltd.
P.O. Box 41.021
Auckland**

☎ (09) 84 94 160
fax ☎ (09) 84 97 858

Mounting

MOUNTING THE SET ON A SHELF

- Make two mounting holes on the shelf as indicated below
- Mount the set on the shelf with two screws.



▶ Bench thickness + 6/8" Max.

Philips - AJ 3250 - Clock Radio

(GB) **English** **page 5**
Illustrations page 3

(F) **Français** **page 8**
Illustrations page 3

(E) **Español** **página 11**
Ilustraciones página 3

(D) **Deutsch** **Seite 14**
Abbildungen Seite 3

(NL) **Nederlands** **pagina 17**
Afbeeldingen pagina 3

(I) **Italiano** **pagina 20**
Illustrazioni pagina 3

(P) **Português** **página 23**
Ilustrações página 3

(DK) **Dansk** **side 26**
Figurer side 3

(S) **Svenska** **sida 29**
Figurer sida 3

(FIN) **Suomi** **sivu 32**
Kuvat sivu 3

