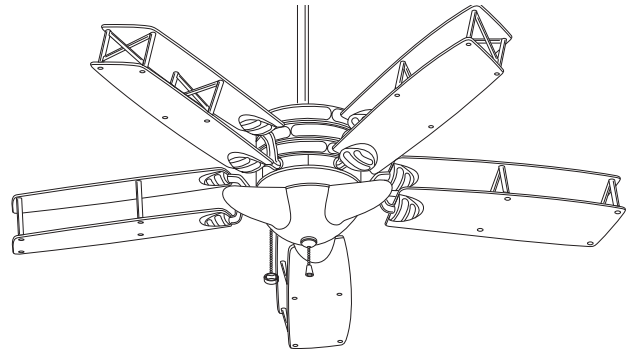


READ AND SAVE THESE INSTRUCTIONS



KITTY HAWK™ Ceiling Fan Owner's Manual

Net Weight: 34.5 Lbs.



Model No.

CF2800PW 00
CF2800BS 00
CF2800WB 00

LIMITED WARRANTY

What The Warranty Covers:

This warranty covers the motor and the other components and accessories of your Emerson ceiling fan against all defects in workmanship and materials. You must be the original purchaser or user of the product to be covered.

What The Period Of Coverage Is:

As it applies to the motor, this warranty will last for a lifetime of your ceiling fan. All other components and accessories are covered by this warranty for one year from the date you purchased your ceiling fan. ANY IMPLIED WARRANTY OF MERCHANTABILITY OR FITNESS FOR A PARTICULAR PURPOSE, MADE WITH RESPECT TO COMPONENTS AND ACCESSORIES IS ALSO LIMITED TO ONE YEAR.

What Will Emerson Company Do To Correct Problems:

Emerson Company will replace a defective Emerson Air Comfort Ceiling Fan motor, blade, component or other accessory at no charge to you. If repair of the motor or blades is not practical or possible within a reasonable time and no replacement can be provided, Emerson Company will refund the actual purchase price of your fan. We will ship the repaired product or replacement to you at no charge, but you are responsible for all costs or removal, reinstallation and shipping of the product to Emerson Company.

How Can You Get Service:

YOU MUST HAVE PROOF OF YOUR PURCHASE OF THE CEILING FAN TO OBTAIN LIMITED WARRANTY SERVICE. KEEP YOUR RECEIPT OR OTHER PROOF OF PURCHASE. You can return the product to our factory or to your nearest authorized service center.

- To return the product to the factory, obtain a return authorization and service identification tag by writing to Air Comfort Products, Division of Emerson Company, 8100 W. Florissant Ave., St. Louis, MO 63136. Include all model numbers shown on the product with your request.
- To return the product to an authorized service center, call 1-800-654-3545 for the address of the nearest authorized service center.

You will be responsible for all insurance, freight or other transportation charges to our factory or authorized service center. Your Emerson Air Comfort Ceiling Fan should be properly packed to avoid damage in transit since we will not be responsible for any such damage.

What Is Not Covered:

The glass globes and light bulbs of your ceiling fan are not covered by this warranty. This warranty also does not cover any defects, malfunctions or failures caused by:

- Repairs by persons not authorized by Emerson Company,
- Use of parts or accessories not authorized by Emerson Company,
- Mishandling, improper installation, modifications or damage to your ceiling fan while in your possession, or
- Unreasonable use, misuse, abuse, including failing to do reasonable and necessary maintenance, and normal wear and tear.

Additionally, this warranty and any implied warranty of merchantability or fitness for a particular purpose are voided when:

- The original purchaser or user ceases to own the product, or
- The fan is moved from its original point of installation.

This warranty is only valid within the 50 states of the United States and the District of Columbia. No other written or oral warranties apply, and no employee, agent, dealer or other person is authorized to give any warranties on behalf of Emerson Company.

REPAIR, REPLACEMENT OR A REFUND ARE THE EXCLUSIVE REMEDIES AVAILABLE UNDER THIS WARRANTY AND EMERSON IS NOT RESPONSIBLE FOR DAMAGES OF ANY KIND, INCLUDING INCIDENTAL AND CONSEQUENTIAL DAMAGES. Incidental damages include but are not limited to such damages as loss of time and loss of use. Consequential damages include but are not limited to the cost of repairing or replacing other property which was damaged if this product does not work properly.

How State Law Relates To The Warranty:

Some states do not allow the exclusion or limitation of incidental or consequential damages so the above exclusion or limitation may not apply to you. This warranty gives you specific legal rights, and you may also have other rights which vary from state to state.

 **WARNING**

WARNING: To avoid fire, shock, and serious personal injury, follow these instructions.

Safety Instructions

1. Read your owner's manual carefully and keep it for future reference.
2. Before servicing or cleaning unit, switch power off at service panel and lock service panel disconnecting means to prevent power from being switched on accidentally. When the service disconnecting means cannot be locked, securely fasten a warning device, such as a tag, to the service panel.
3. Be careful of the fan and blades when cleaning, painting, or working near the fan. Always turn off the power to the ceiling fan before servicing.
4. Do not put anything into the fan blades while they are turning.
5. Do not operate reversing switch until fan blades have come to a complete stop.

Additional Safety Instructions for Installation

1. To avoid possible shock, be sure electricity is turned off at the fuse box before wiring, and do not operate fan without blades.
2. All wiring must satisfy National and Local Electrical Codes. Use the National Electrical Code if Local Codes do not exist. The ceiling fan must be grounded as a precaution against possible electrical shock. Electrical installation should be made or approved by a licensed electrician.
3. The outlet box and joist must be securely mounted and capable of reliably supporting at least 50 pounds. Use only U.L. outlet boxes listed as "Acceptable for Fan Support of 50 lbs or less", and use the mounting screws provided with the outlet box. Most outlet boxes commonly used for support of light fixtures are not acceptable for fan support and may need to be replaced. Consult a qualified electrician if in doubt.
4. The downrod furnished with the fan proves the minimum recommended floor to fan blade clearance for an 8 foot ceiling.
5. The fan must be mounted with the fan blades at least 7 feet from the floor to prevent accidental contact with the fan blades.
6. Follow the recommended instructions for the proper method of wiring your ceiling fan. If you do not know enough about electrical wiring, have your fan installed by a licensed electrician.

WARNING: To avoid fire, shock or injury, do not use an Emerson or any other brand of control not specifically approved for this fan.

WARNING: This product is designed to use only those parts supplied with this product and/or any accessories designated specifically for use with this product by Emerson Company. Substitution of parts or accessories not designated for use with this product by Emerson Company could result in personal injury or property damage.

WARNING: To Reduce the risk of personal injury, do not bend the blade flange when installing the blade flanges, balancing the blades or cleaning the fan. Do not insert foreign objects in between rotating fan blades.

DATE CODE: _____

The date code of this fan may be found on the box, stamped in ink on a white label.

You should record this data above and keep it in a safe place for future use.

This Manual Is Designed to Make it as Easy as Possible for You to Assemble, Install, Operate and Maintain Your Ceiling Fan

Tools Needed for Assembly

One Phillips head screwdriver One wire stripper
 One step ladder Masking tape
 Three wire connectors (supplied)

Installed Wire Length
 Up to 50 ft.
 50-100 ft.

Wire Size A.W.G.
 14
 12

MATERIALS

Wiring, outlet box and box connectors must be of type required by the local code. The minimum wire would be a 3-conductor (2-wire with ground) of the following sizes:

⚠ WARNING

Before assembling your ceiling fan, refer to section on proper method of wiring your fan (page 8). If you feel you do not have enough wiring knowledge or experience, have your fan installed by a licensed electrician.

Unpacking Instructions

For your convenience, check-off boxes are provided next to each step. As each step is completed, place a check mark in the box. This will insure that all steps have been completed and will be helpful in finding your place should you be interrupted.

⚠ WARNING

Do not install or use fan if any part is damaged or missing. Call Toll-Free:

1-800-654-3545

⚠ WARNING

This product is designed to use only those parts supplied with this product and/or any accessories designated specifically for use with this product by Emerson Company. Substitution of parts or accessories not designated for use with this product by Emerson Company could result in personal injury or property damage.

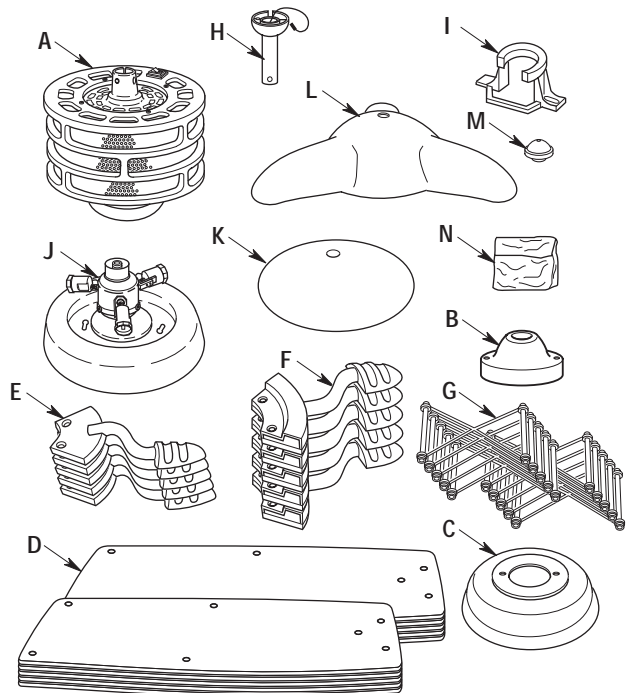
8. Three wire connectors
9. Two pull chain pendants
10. Two plastic couplings
11. One hairpin clip
12. One clevis pin
13. Eleven 10-32 x 1" oval head screws
14. Thirty-two 10-32 x 8mm Phillips button head screws
15. Forty-two 6-32 x 6mm Phillips button head screws
16. One fiber washer
17. Two 8-32 x 3/8" pan head screws

NOTE: Place the parts from the loose parts bags in a small container to keep them from being lost. If any parts are missing, contact your local retailer or catalog outlet for replacement before proceeding.

1. Open styrofoam unit containing fan. Remove top half of styrofoam unit. Remove parts and check to see that you have received the following parts:

NOTE: If you are uncertain of part description, refer to exploded view illustration.

- a. Fan motor and housing assembly
- b. One motor cover
- c. Once ceiling cover
- d. Ten fan blades
- e. Five upper blade flanges
- f. Five lower blade flanges
- g. Ten struts
- h. One hanger ball/downrod assembly
- i. One hanger bracket
- j. One switch housing cover/light fixture assembly
- k. One cover plate
- l. One light fixture glass
- m. One finial nut
- n. One loose parts bag containing:
 1. One 5/16-18 x 1/4" setscrew
 2. One setscrew wrench
 3. One 2-1/4" pipe nipple
 4. Two 1" threaded studs
 5. Two 1-1/4" threaded studs
 6. Four knurled knobs
 7. Four lockwashers



How to Put Your Ceiling Fan Together

- 1. Remove the fan motor and housing assembly from the styrofoam packaging and position it so that the top of the motor is facing you.
- 2. Remove the hanger ball from the downrod by loosening the setscrew in the hanger ball until the ball falls freely down the downrod (Figure 1). Remove the pin from the downrod, then remove the hanger ball. Retain the pin and hanger ball for reinstallation in step 8.

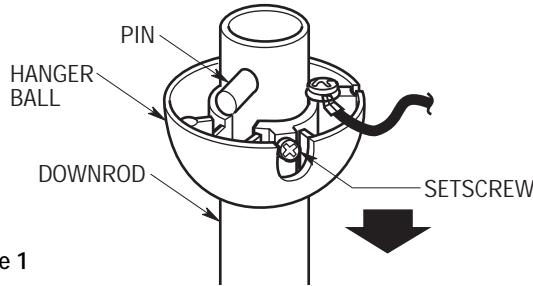


Figure 1

- 3. Separate, untwist and unkink the three motor leads. Route the motor leads through the downrod and seat the downrod in the motor coupling (Figure 2).

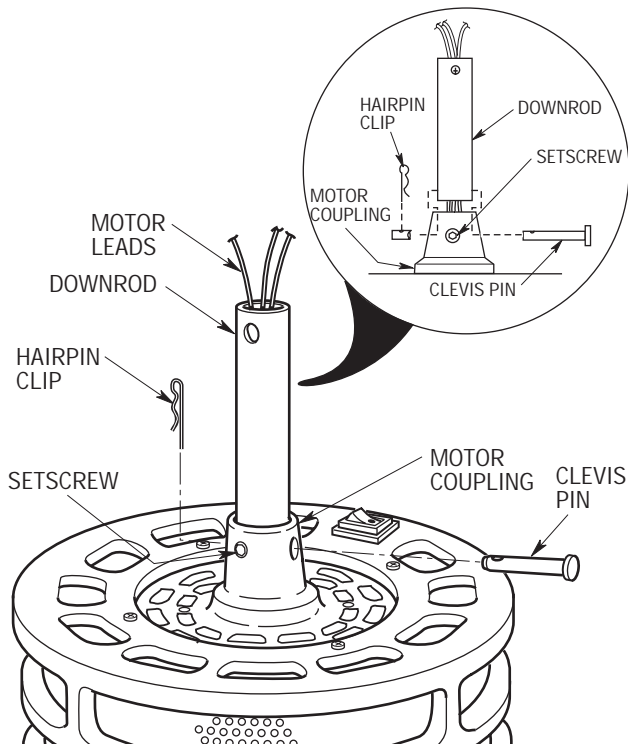


Figure 2

- 4. Align the clevis pin holes in the downrod with the holes in the motor coupling. Install the clevis pin and secure with the hairpin clip (Figure 2). (Pin and clip are supplied in loose parts bag.) The clevis pin must go through the holes in the motor coupling and the holes in the downrod. Push the straight leg of the hairpin clip through the hole near the end of the clevis pin until the curved portion of the hairpin clip snaps around the clevis pin. The hairpin clip must be properly installed to prevent the clevis pin from working loose. Pull the hanger ball to make sure the clevis pin is properly installed.

⚠ WARNING

It is critical that the clevis pin in the motor coupling is properly installed and the setscrews securely tightened. Failure to verify that the pin and setscrews are properly installed (as shown in Figure 2) could result in the fan falling.

- 5. Install the setscrew (supplied) in the motor coupling (Figure 2). While pulling up on the downrod, tighten the setscrew using the setscrew wrench (supplied).

NOTE: The setscrews must be properly installed as described above, or fan wobble could result.

- 6. Screw two 1" threaded studs (supplied) into the motor (Figure 3). Leave approximately 7/8" of the stud extending above the motor. Coil the wires and wire connectors around the motor coupling then slide the motor cover over the downrod and rotate the cover until the threaded studs protrude. Install two lockwashers (supplied) to secure the cover to the motor. All wires and wire connectors must be enclosed under the motor cover.

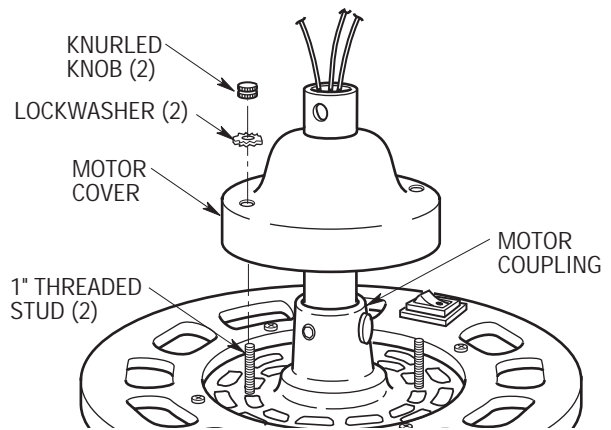


Figure 3

NOTE: Lightly snug the knurled knob and make sure the wires and wire connectors are completely inside the motor coupling cover and not pinched between the motor coupling cover and the motor.

- 7. Position the ceiling cover over the downrod. Be sure the cover is oriented correctly, with the large opening at the top (Figure 4).

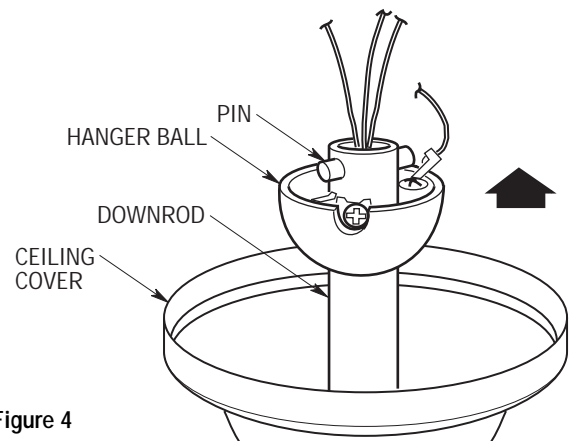



Figure 4

8. Reinstall the hanger ball on the downrod (Figure 4) as follows. Route the motor leads through the hanger ball and slide the hanger ball over the downrod. Install the pin through the holes at the top of the downrod and slide the hanger ball up the downrod, aligning the ball so the pin is captured in the groove in the top of the hanger ball. Pull the hanger ball up tight against the pin and securely tighten the setscrew in the hanger ball. A loose setscrew could create fan wobble.

 WARNING
<p>It is critical that the pin in the hanger ball is properly installed and the setscrews securely tightened. Failure to verify that the pin and setscrews are properly installed could result in the fan falling.</p>

9. The fan comes with blue, black and white leads that are 80-inches long. Before installing the fan, measure up approximately 6 to 9-inches above top of hanger ball/downrod assembly. Cut off excess leads and strip back insulation 1/2-inch from end of leads.

IMPORTANT: When installing the fan blades on the blade flanges, be sure the short side of the fan blade is oriented with the blade flange as shown in Figure 5.

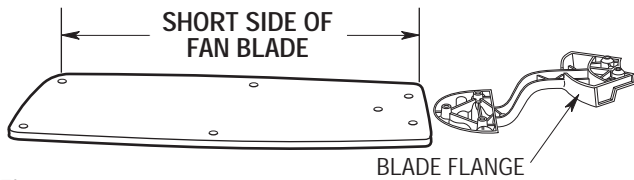


Figure 5

10. Use three 10-32 x 8mm Phillips button head screws to secure the fan blade to the upper blade flange (Figure 6). (Refer to IMPORTANT note above.) Repeat the procedure for the remaining four upper blades.

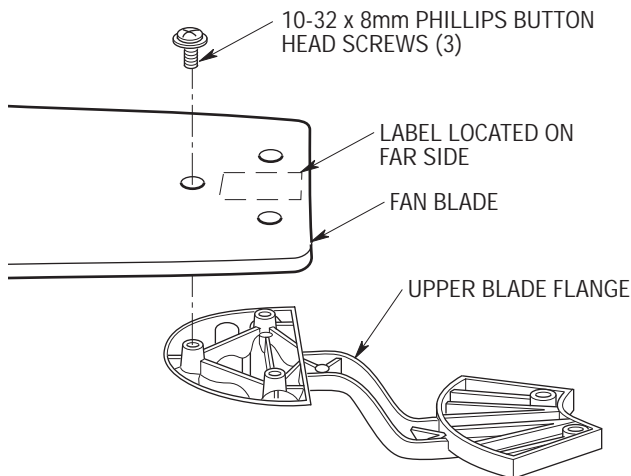


Figure 6

11. Use three 10-32 x 8mm slotted Phillips button head screws to secure the fan blade to the lower blade flange (Figure 7). (Refer to IMPORTANT note above step 10.) Repeat the procedure for the remaining four lower blades.

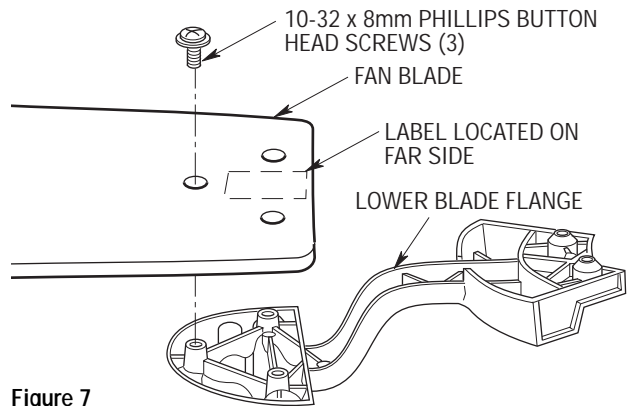


Figure 7

12. Position the lower blade flange on the upper blade flange (Figure 8) and secure the flanges to each other using several strips of masking tape. (The masking tape will be removed later.)

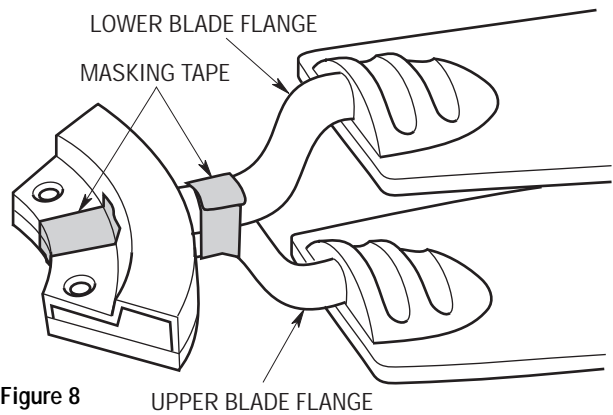


Figure 8

IMPORTANT: In Steps 13, 14, and 15, DO NOT use electric screwdrivers to install the struts. HAND TIGHTEN ONLY and avoid excessive torque.

13. Slightly separate the upper and lower fan blades and carefully seat the strut into the center holes of the fan blades (Figure 9). Secure the strut by installing two 6-32 x 6mm Phillips button head screws (supplied). Be careful not to scratch the blades.

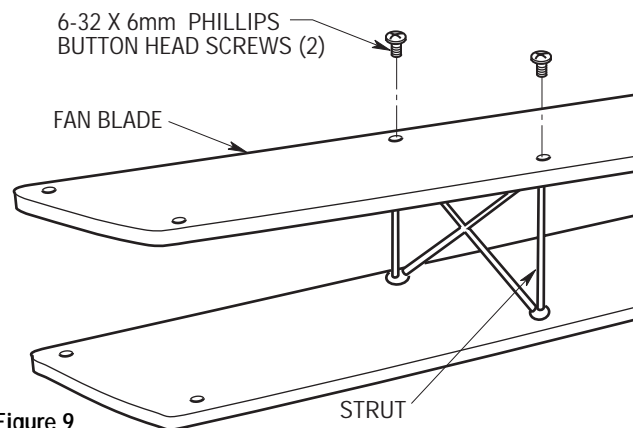


Figure 9

- 14. Slightly separate the upper and lower fan blades and carefully seat the strut into the holes in the end of the fan blades (Figure 10). Secure the strut by installing two 6-32 x 6mm Phillips button head screws (supplied). Be careful not to scratch the blades.

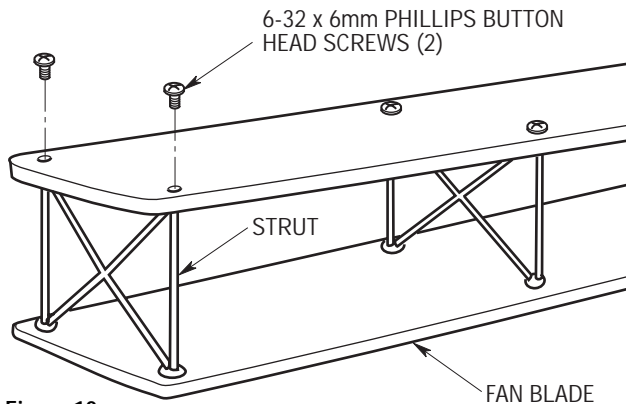


Figure 10

- 15. Grasp the blades and turn them over, then install the remaining four 6-32 x 6mm Phillips button head screws (supplied) to secure the struts. **Remove the masking tape securing the two blade flanges together.** Repeat steps 12 through 15 for the remaining four blade assemblies.
- 16. Use the 10 round recessed holes in the motor hub marked with "5" and install the five blade assemblies in accordance with step 17.
- 17. Attach one blade assembly to the motor hub using two 10-32 x 1" oval head screws (supplied) (Figure 11). Do not tighten completely at this time. Install four remaining blade assemblies in the same way. Gently snug all flange screws to the motor hub, working around the hub in a clockwise sequence. Next, securely tighten all flange screws, again working in a clockwise sequence. Failure to follow this procedure could result in fan wobble. This completes the blade installation.

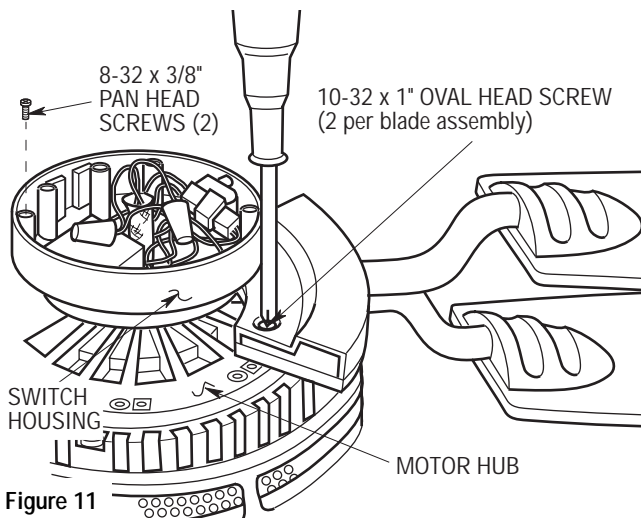


Figure 11

- 18. Partially screw two 8-32 x 3/8" pan head screws (supplied) into the threaded holes in the switch housing (Figure 11).

IMPORTANT: Perform steps 19 through 23 ONLY if you want to install your ceiling fan without the light fixture. If you want to install your fan with the light fixture, omit steps 19 through 23 and proceed to step 24.

- 19. Remove the nut and lockwasher securing the light fixture to the switch housing cover (Figure 12). Unscrew the light fixture from the switch housing cover. Retain the light fixture in case you want to install it later.

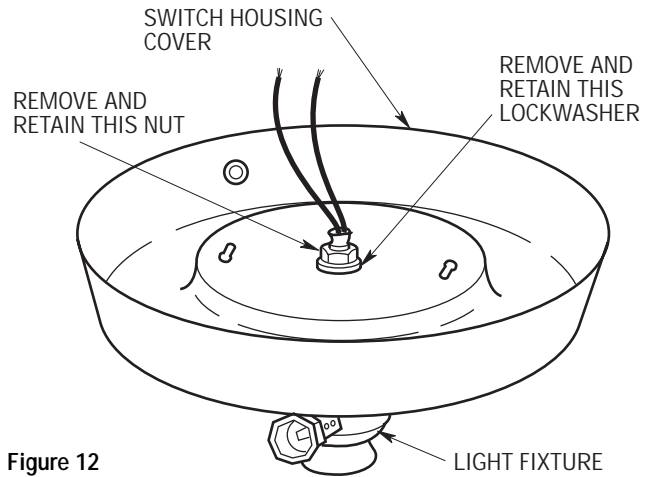


Figure 12

- 20. Screw the 2-1/4" pipe nipple (supplied) several full turns into the switch housing cover (Figure 13). Reinstall and tighten the lockwasher and nut onto the nipple (Figure 13).
- 21. Pass the speed control switch chain from the switch housing through the chain bushing in the switch housing cover (Figure 13). Attach the speed control pendant to the pull chain using a plastic coupler.
- 22. Make sure all wires and wire connectors are inside the switch housing, then position the switch housing cover on the switch housing so that the two 8-32 x 3/8" pan head screws (previously installed) protrude through the keyhole slots in the switch housing cover. Turn the switch housing cover clockwise to engage the slots, then securely tighten the two screws (Figure 13).

NOTE: Be sure the wires are not pinched between the switch housing and the switch housing cover.

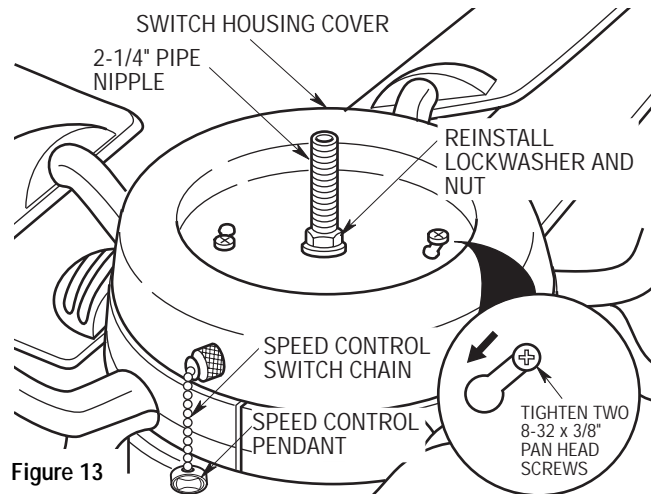


Figure 13

23. Position the cover plate on the switch housing cover and secure by installing the fiber washer and finial nut (supplied) (Figure 14). Proceed to "Electrical Requirements" section.

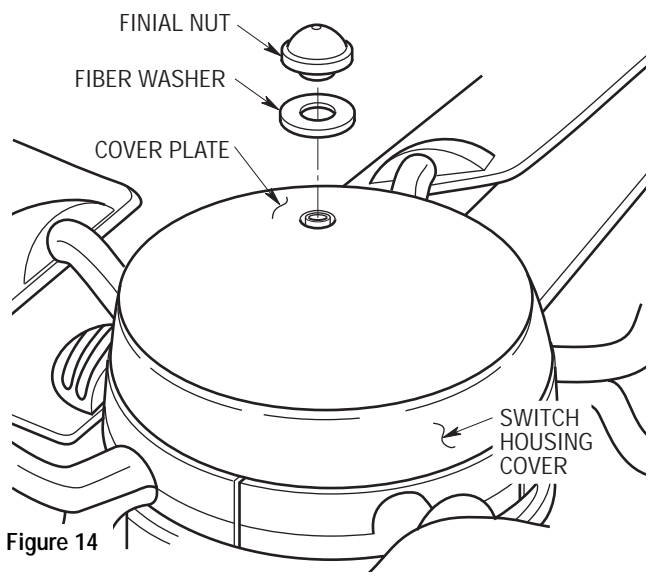


Figure 14

24. Remove the wire connectors from the blue and white wires in the switch housing. Connect the switch housing blue wire to the blue wire from the switch housing cover/light fixture assembly; connect the switch housing white wire to the white wire from the switch housing cover/light fixture assembly (Figure 15). Secure the wires using the wire connectors previously removed.

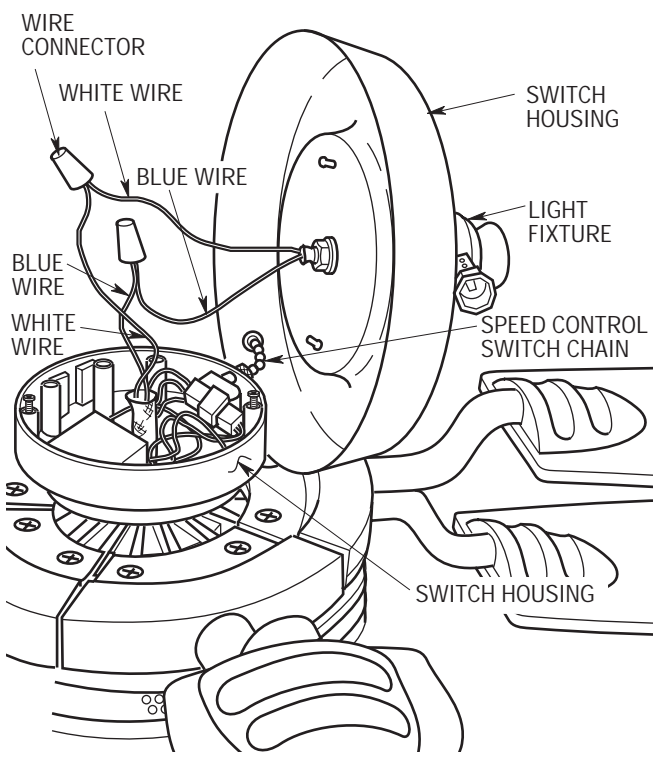


Figure 15

25. Pass the speed control switch chain from the switch housing through the chain bushing in the switch housing cover.

26. Make sure all wires and wire connectors are inside the switch housing, then position the switch housing cover on the switch housing so that the 8-32 x 3/8" pan head screws (previously installed) protrude through the keyhole slots in the switch housing cover. Turn the switch housing cover clockwise to engage the slots, then securely tighten the two screws (Figure 16).

NOTE: Be sure the wires are not pinched between the switch housing and the switch housing cover.

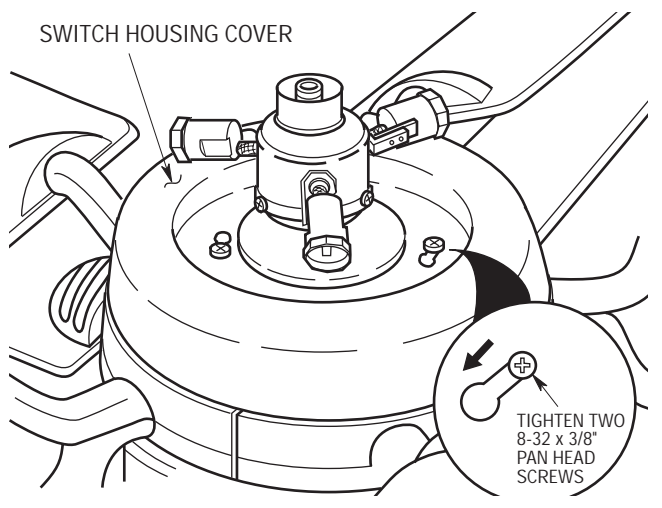


Figure 16

Electrical Requirements

Your new ceiling fan will require a grounded electrical supply line of 120 volts AC, 60 Hz, 15 amp circuit.

The outlet box must be securely anchored and capable of withstanding a load of at least 50 pounds.

⚠ WARNING

To reduce the risk of fire, electric shock, or personal injury, mount fan to outlet box marked "Acceptable for Fan Support of 50 lbs. or less", and use screws supplied with outlet box. Most outlet boxes commonly used for support of light fixtures are not acceptable for fan support and may need to be replaced. Consult a qualified electrician if in doubt.

If your fan is to replace an existing ceiling light fixture, turn electricity off at the main fuse box at this time and remove the existing light fixture.

⚠ WARNING

Turning off wall switch is not sufficient. To avoid possible electrical shock, be sure electricity is turned off at the main fuse box before wiring. All wiring must be in accordance with National and Local codes and the ceiling fan must be properly grounded as a precaution against possible electrical shock.

How to Hang Your Ceiling Fan

⚠ WARNING

The fan must be hung with at least 7' of clearance from floor to blades (Figure 17).

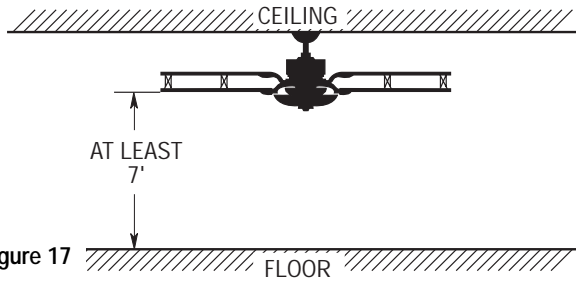


Figure 17

⚠ WARNING

The outlet box and joist must be securely mounted and capable of supporting at least 50 lbs. Use only a U.L. outlet box listed as "Acceptable for Fan Support of 50 lbs. or less".

1. Securely attach the hanger bracket to the outlet box using the two screws supplied with the outlet box. (Figure 18.)

⚠ WARNING

Hanger bracket must seat firmly against outlet box. If the outlet box is recessed, remove wall board until bracket contacts box. If bracket and/or outlet box are not securely attached, the fan could wobble or fall.

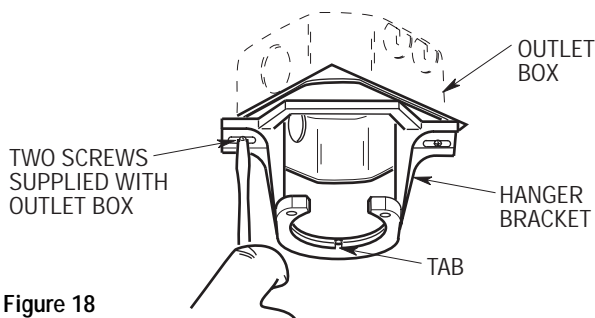


Figure 18

2. Carefully lift the fan and seat the hanger ball/downrod assembly on the hanger bracket that was just attached to the outlet box (Figure 19). Be sure the groove in the ball is lined up with the tab on the hanger bracket (Figure 18).

⚠ WARNING

Failure to seat tab in groove could cause damage to electrical wires and possible shock or fire hazard.

NOTE: CEILING COVER, SUPPLY WIRES AND FAN WIRES OMITTED FOR CLARITY.

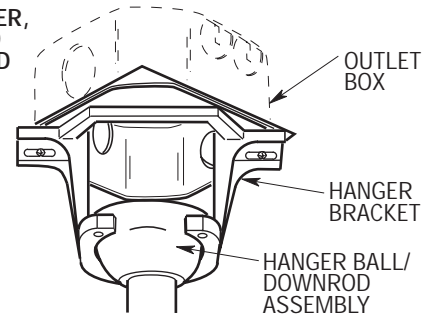


Figure 19

⚠ WARNING

To avoid possible fire or shock, do not pinch wires between the hanger ball/downrod assembly and hanger bracket.

How to Wire Your Ceiling Fan

If you feel that you do not have enough electrical wiring knowledge or experience, have your fan installed by a licensed electrician.

⚠ WARNING

Turning off wall switch is not sufficient. To avoid possible electrical shock, be sure electricity is turned off at the main fuse box before wiring. All wiring must be in accordance with National and Local codes and the ceiling fan must be properly grounded as a precaution against possible electrical shock.

1. Connect the green grounding lead from the hanger ball and the green grounding lead from the hanger bracket to the grounding conductor of supply (this may be a bare wire or wire with green colored insulation). Securely connect wires with wire connectors supplied. (Figure 20.)

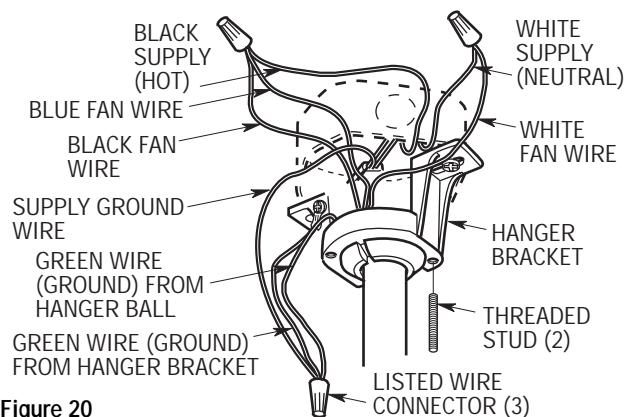


Figure 20

2. Securely connect the fan motor white wire to the supply white (neutral) wire using wire connector supplied (Figure 20). Securely connect the fan motor black wire and blue wire to the supply black (hot) wire using wire connector supplied (Figure 20). After connections have been made, separate the white and green leads from the black and blue leads. Carefully turn the leads upward and push the green and white leads into one side of the outlet box. Then push the black and blue leads into the other side of the outlet box.

▲ WARNING

Check to see that all connections are tight, including ground, and that no bare wire is visible at the wire connectors, except for the ground wire. Do not operate fan until blades are in place. Noise and fan damage could result.

- 3. Screw the two 1-1/4" threaded studs (supplied) into the tapped holes in the hanger bracket (Figure 20).
- 4. Lift the ceiling cover up to the threaded studs and turn until studs protrude through the holes in the ceiling cover (Figure 20).
- 5. Secure the ceiling cover in place by sliding lockwashers (supplied) over the threaded studs and installing the two knurled knobs (supplied). (Figure 21.) Tighten the knurled knobs securely until the ceiling cover fits snugly against the ceiling and the hole in the ceiling cover is clear of the downrod. Your fan is now wired to be turned on and off from the fan switch.

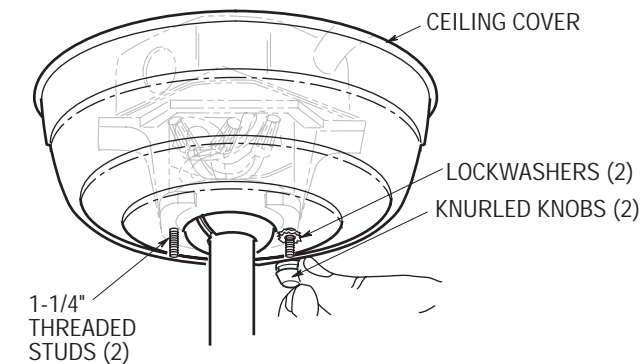


Figure 21

▲ WARNING

To avoid possible fire or shock, make sure that the electrical wires are completely inside the outlet box and not pinched between the ceiling cover and the ceiling.

- 6. Screw three candelabra base lamps (60-watt each max.) in the light fixture sockets. Pass the light fixture switch chain through the light fixture glass (Figure 22). Position the glass on the light fixture so that the three elongated points of the glass are over the three lamps. Install the fiber washer and the finial nut (supplied) to hold the glass on the light fixture. Securely tighten the finial nut.
- 7. Slip the speed control switch pull chain through the hole in the oval pendant (supplied), then secure the pendant by snapping the plastic coupling (supplied) onto the end of the chain (Figure 22). Repeat this procedure to connect the pendant to the light switch pull chain.

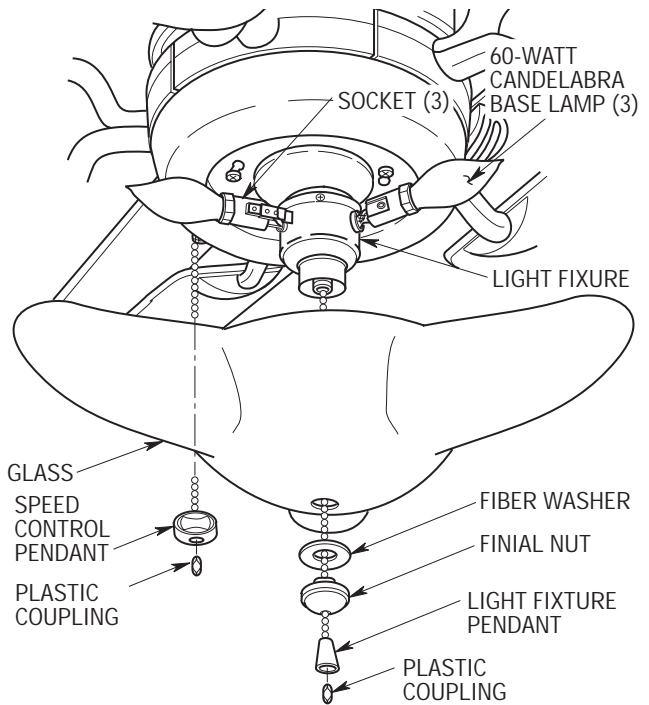


Figure 22

Using Your Ceiling Fan

- 1. Restore electrical power to the outlet box by turning the electricity on at the main fuse box.
- 2. Check the operation of the fan by gently pulling on the 4-position speed control switch pull chain. The operating sequence is as follows:

THREE-SPEED

1st Pull—HIGH 3rd Pull—Low
2nd Pull—Medium 4th Pull—OFF

- 3. If airflow is desired in opposite direction, turn your fan off and wait for the blades to stop turning, then press the rocker switch located on top of the motor housing, and turn the fan on again (Figure 23). The fan blades will turn in the opposite direction and reverse airflow.
- 4. Check the operation of the light fixture by gently pulling the light switch pull chain.

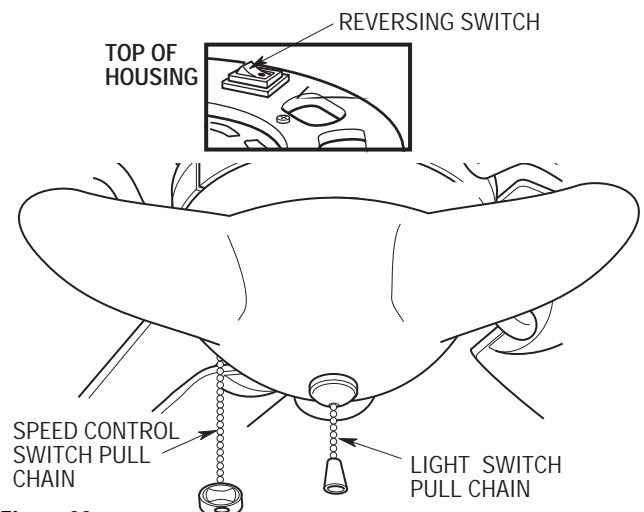


Figure 23

Maintenance

IMPORTANT CARE INSTRUCTIONS for your Ceiling Fan

Periodic cleaning of your new ceiling fan is the only maintenance that is needed.

When cleaning, use only a soft brush or lint free cloth to avoid scratching the finish.

Abrasive cleaning agents are not required and should be avoided to prevent damage to finish.

 **WARNING**

Do not use water when cleaning your ceiling fan. It could damage the motor or the blades and create the possibility of an electrical shock.

Accessories

1. Downrod Extension Kits (see store or catalog).
2. Ceiling Fan Controls (see store or catalog).

 **WARNING**



The use of any other control not specifically approved for this fan could result in fire, shock and personal injury.

 **WARNING**

This product is designed to use only those parts supplied with this product and/or any accessories designated specifically for use with this product by Emerson Company. Substitution of parts or accessories not designated for use with this product by Emerson Company could result in personal injury or property damage.

 **WARNING: FOR YOUR OWN SAFETY TURN OFF POWER AT FUSE BOX OR CIRCUIT BREAKER BEFORE TROUBLE SHOOTING YOUR FAN.**

Trouble Shooting

TROUBLE	PROBABLE CAUSE	SUGGESTED REMEDY
1. Fan will not start.	<ol style="list-style-type: none"> 1. Fuse or circuit breaker blown. 2. Loose power line connections to the fan, or loose switch wire connections in the switch housing. 	<ol style="list-style-type: none"> 1. Check main and branch circuit fuses or circuit breakers. 2. connections in the switch housing. <p> WARNING: Make sure main power is turned off.</p>
2. Fan sounds noisy.	<ol style="list-style-type: none"> 1. Blades not attached to fan. 2. Screws securing fan blade flanges to motor are loose. 3. Wire connectors inside switch housing rattling. 4. Screws holding blades to flanges are loose. 5. Loose screws in motor housing. 	<ol style="list-style-type: none"> 1. Attach blades to fan before operating. 2. Check to make sure the screws which attach the fan flanges to the motor are tight. 3. Check to make sure wire connectors in switch housing are not rattling against each other or against the interior wall of the switch housing. <p> WARNING: Make sure main power is turned off.</p> <ol style="list-style-type: none"> 4. Tighten screws securely. 5. Check to make sure all screws in motor housing are snug (not over-tight)
3. Fan wobbles excessively.	<ol style="list-style-type: none"> 1. Setscrew in motor coupling is not tightened securely. 2. Setscrew in the hanger ball/downrod assembly is loose. 3. Screws securing fan blade flanges to motor are loose. 4. Fan blade flanges not seated properly. 5. Hanger bracket and/or ceiling outlet box is not securely fastened 6. Fan blades out of balance. 	<ol style="list-style-type: none"> 1. Raise coupling cover and tighten setscrew securely. 2. Tighten the setscrew in the hanger ball/downrod assembly. 3. Check to be sure screws which attach the fan blade flanges to the motor are tight. 4. Check to be sure the fan blade flanges seat firmly and uniformly to the surface of the motor. If flanges are seated incorrectly, loosen the flange screws and retighten according to Step 17 and Figure 11. 5. Tighten the hanger bracket screws to the outlet box, and/or secure outlet box. 6. Interchanging an adjacent (side-by-side) blade pair can redistribute the weight and result in smoother operation. Or use supplied balancing kit to balance blades.

Repair Parts

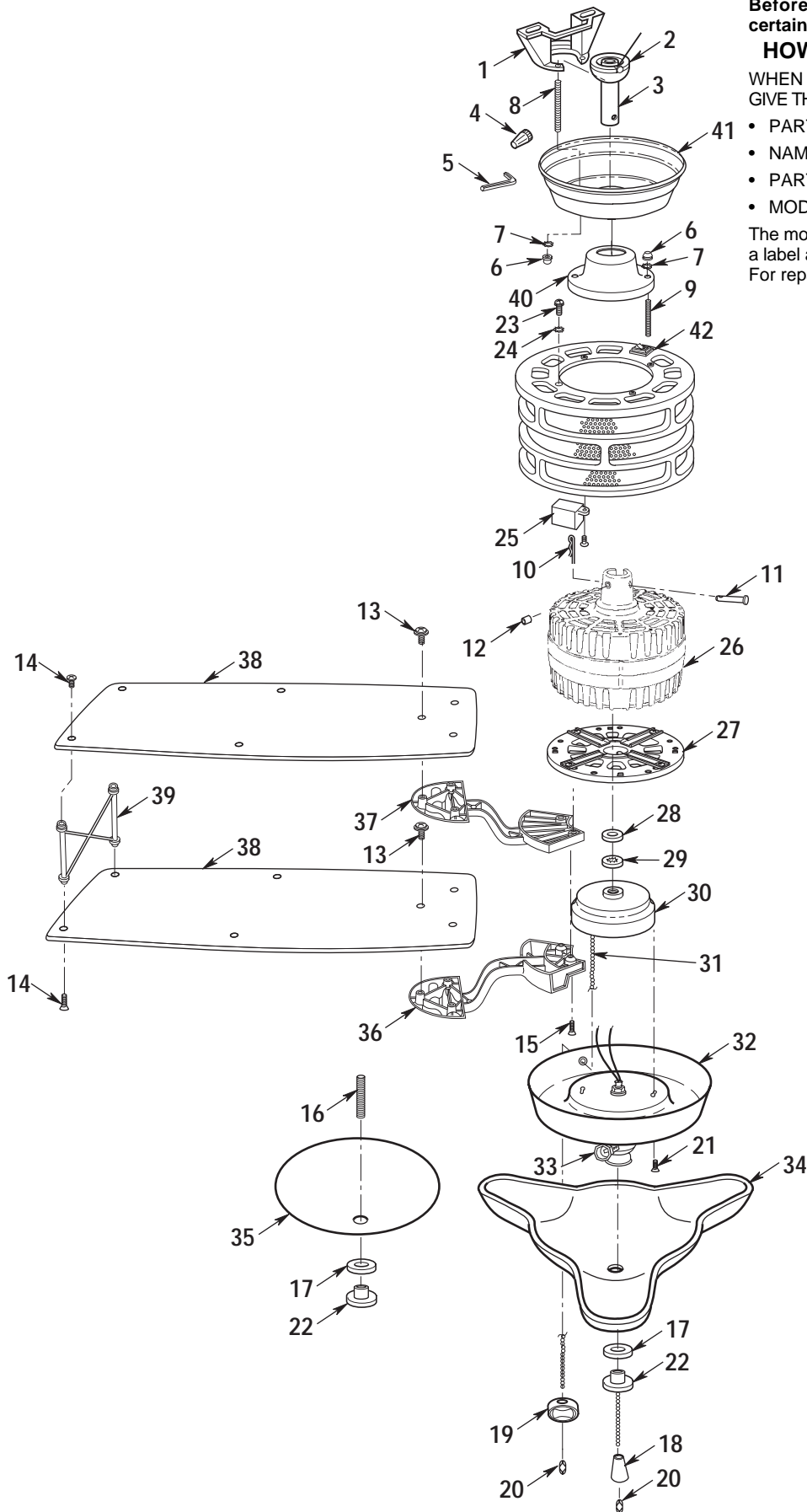
Before discarding packaging material, be certain all parts have been removed.

HOW TO ORDER REPAIR PARTS

WHEN ORDERING REPAIR PARTS, ALWAYS GIVE THE FOLLOWING INFORMATION:

- PART NUMBER
- NAME OF ITEM
- PART DESCRIPTION
- MODEL NUMBER

The model number of your Fan will be found on a label attached to the top housing.
For repair parts, phone 1-800-654-3545.



Repair Parts Listing

Key No.	Description	Part Numbers		
		Model No. CF2800PW 00	Model No. CF2800BS 00	Model No. CF2800WB 00
*	Hanger Pack, Consisting of:	761655-25	761655-27	761655-26
1	Hanger Bracket	—	—	—
2	Hanger Ball	—	—	—
3	Downrod	—	—	—
*	Parts Bag Containing:	762427	762427	762427-1
4	Wire Connector (3)	—	—	—
5	Setscrew Wrench	—	—	—
6	Knurled Knob (4)	—	—	—
7	Lockwasher (4)	—	—	—
8	Threaded Stud, 1" (2)	—	—	—
9	Threaded Stud, 1-1/4" (2)	—	—	—
10	Clip, Hairpin	—	—	—
11	Pin, Clevis	—	—	—
12	Setscrew, 5/16-18 x 1/4"	—	—	—
13	Screw, Phillips Button Head, 10-32 x 8mm (32)	—	—	—
14	Screw, Phillips Button Head, 6-32 x 6mm (42)	—	—	—
15	Screw, Oval Head, 10-32 x 1" (11)	—	—	—
16	Pipe Nipple, 2-1/4"	—	—	—
17	Fiber Washer	—	—	—
18	Pendant, Light Switch	—	—	—
19	Pendant, Speed Control Switch	—	—	—
20	Coupling (2)	—	—	—
21	Screw, Pan Head, 8-32 x 3/8" (2)	—	—	—
22	Finial Nut	762422	762422-1	762422-2
23	Screw, Pan Head, 8-32 x 1/2" (4)	—	—	—
24	Lockwasher, #8 (4)	—	—	—
25	Capacitor, Aux. 11 MFD	762466	762466	762466
26	Motor	762304	762304	762304
27	Hub Assembly	762487	762487	762487
28	Washer, 9/16"	—	—	—
29	Lockwasher, 9/16"	—	—	—
30	Switch Housing Assembly	762113-11	762113-12	762113-13
31	Wiring Harness Assembly	762090-5	762090-5	762090-6
32	Cover, Switch Housing	762425	762425-1	762425-2
33	Light Fixture Assembly	762419	762419	762419-1
34	Glass, Light Fixture	762420	762420	762420
35	Cover Plate	762424	762424-1	762424-2
36	Flange Set, Lower (5) (Full set for one fan)	762415-3	762415-4	762415-5
37	Flange Set, Upper (5) (Full set for one fan)	762415	762415-1	762415-2
38	Blade Assembly (10) (Full set for one fan)	762408	762408-1	762408-2
39	Strut Assembly (10) (Full set for one fan)	762483	762483-1	762483-1
40	Cover, Motor	761621-21	761621-15	761621-17
41	Cover, Ceiling	761795-6	761795-3	761795-7
42	Switch Assembly, Reversing	762114	762114	762114
—	Owner's Manual	BP7273	BP7273	BP7273



EMERSON
Air Comfort Products
 DIVISION OF EMERSON COMPANY
 8100 W. Florissant • St. Louis, MO 63136