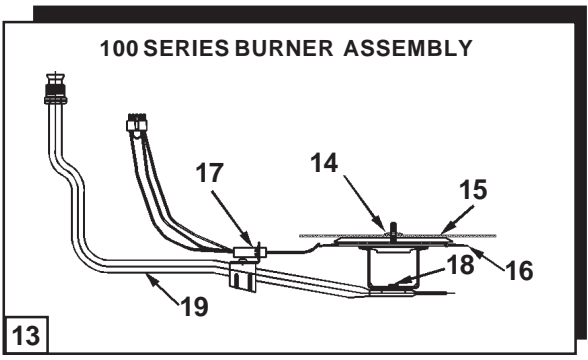
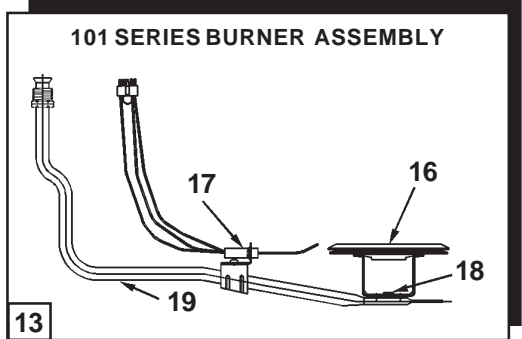
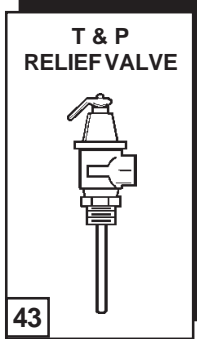
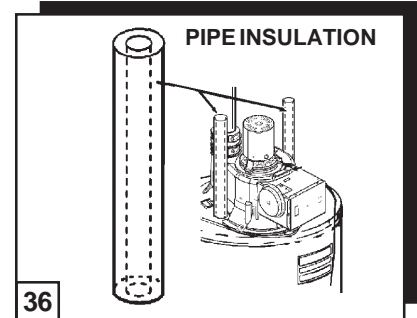
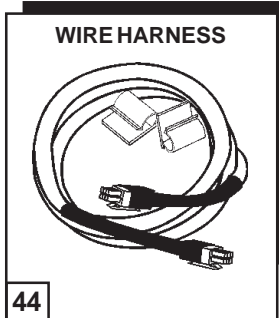
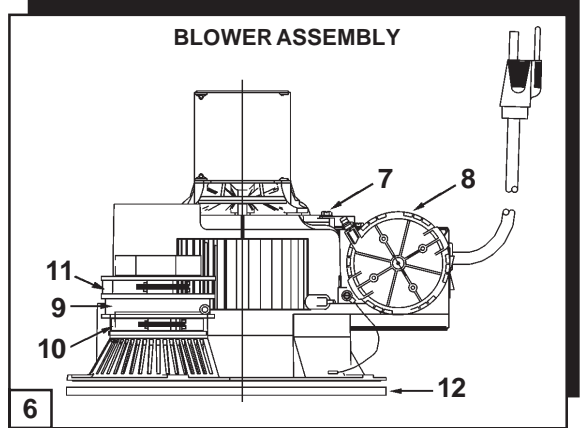
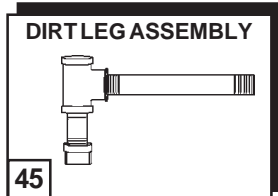
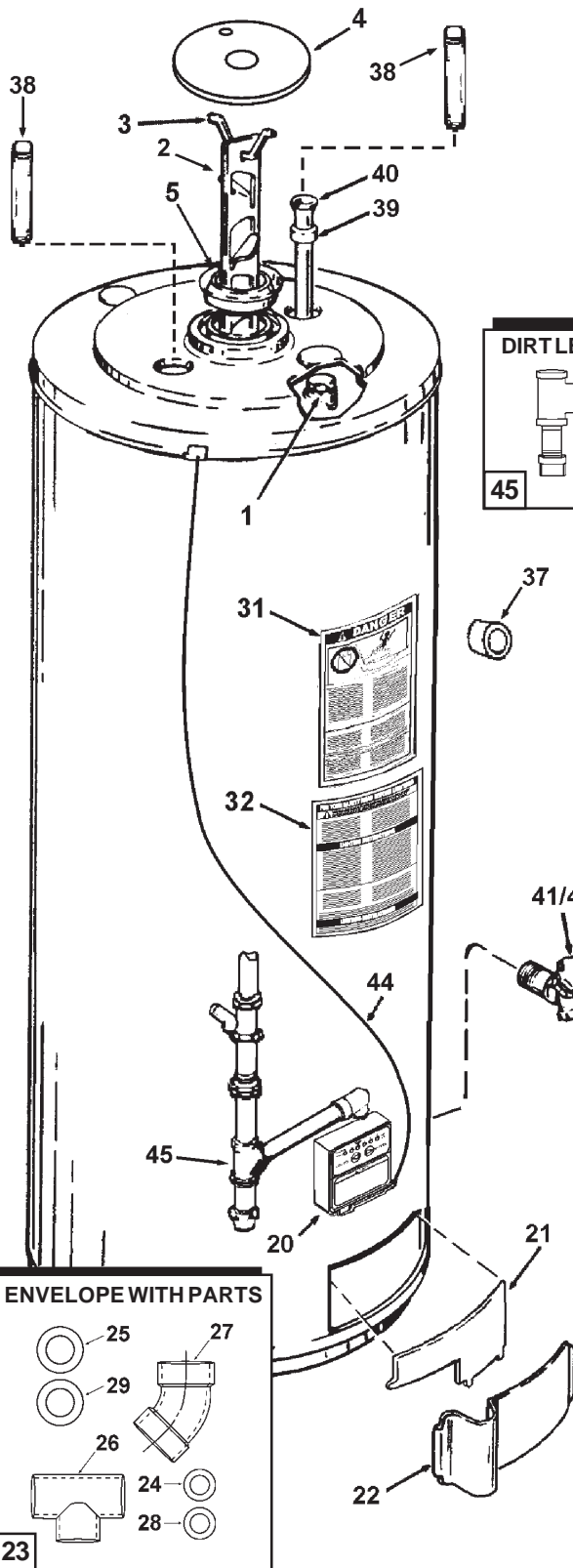


A.O. SMITH

WATER PRODUCTS COMPANY

GAS

RESIDENTIAL WATER HEATER PARTS LIST
MODELS GPSH 40/50
GPCR 40/50
SERIES100/101



A.O. SMITH WATER PRODUCTS COMPANY

5621 W. 115TH STREET • ALSIP, ILLINOIS 60803

PHONE: 1-800-433-2545 • FAX: 1-800-433-2515

Website: www.aosmithwaterheaters.com • E-mail: parts@hotwater.com

| Item | Description | GPCR-40 101 | GPCR-40 100 | GPCR-50 101 |
|------|---|----------------|----------------|----------------|
| 1 | Anode, Aluminum Alloy | 183523-26 | 183523-26 | 183523-29 |
| 2 | Baffle, Flue | 181382 | 181382 | 181382 |
| 3 | Baffle, Hanger | 181360-2 | 181360-2 | 181360-2 |
| 4 | Plate, Flue Restrictor | 183482 | 183482 | 183482 |
| 5 | Ring, Flue Restrictor | 34894-1 | 34894-1 | 34894-1 |
| 6 | Blower Assembly | 183505-000 | 183505-000 | 183505-000 |
| 7 | Limit Switch | 183380-2 | 183380-2 | 183380-2 |
| 8 | Pressure Switch | 185135-000 | 185135-000 | 185135-000 |
| 9 | Adapter, Exhaust | 183508 | 183508 | 183508 |
| 10 | Hose Clamp, 3 1/2" | 183545 | 183545 | 183545 |
| 11 | Hose Clamp, 4" | 183545-1 | 183545-1 | 183545-1 |
| 12 | Blower Assembly Gasket | 185106-000 | 185106-000 | 185106-000 |
| 13 | Burner Assembly, Natural Gas | - - - - | 184052-2 | - - - - |
| 13 | Burner Assembly, Propane Gas | 184050-10 | - - - - | 184050-11 |
| 14 | Hex Nut | - - - - | 183717 | - - - - |
| 15 | NOx Screen | - - - - | 183619 | - - - - |
| 16 | Burner, Main - Natural | - - - - | 183630 | - - - - |
| 16 | Burner, Main - Propane | 183325 | - - - - | 183325 |
| 17 | Igniter Assembly, Hot Surface | 184047 | 184047 | 184047 |
| 18 | Orifice, Main Burner - Natural | - - - - | 181508-31 | - - - - |
| 18 | Orifice, Main Burner - Propane | 181791-50 | - - - - | 181791-48 |
| 19 | Burner Tube Assembly - Natural | - - - - | 184051-2 | - - - - |
| 19 | Burner Tube Assembly - Propane | 184049-2 | - - - - | 184049-3 |
| 20 | Combination Gas Valve - Natural | - - - - | 183760-2 | - - - - |
| 20 | Combination Gas Valve - Propane | 183760-3 | - - - - | 183760-3 |
| 21 | Door, Inner | 183491 | 183491 | 183491 |
| 22 | Door, Outer | 180522 | 180522 | 180522 |
| 23 | Envelope with Parts | 183509-002 | 183509-002 | 183509-002 |
| 24 | Wall Plate, 2" | 182787 | 182787 | 182787 |
| 25 | Wall Plate, 3" | 181557 | 181557 | 181557 |
| 26 | Vent Terminal Assembly, 2" | 183571 | 183571 | 183571 |
| 27 | Vent Terminal, 3" | 192815 | 192815 | 192815 |
| 28 | 2" Vent Terminal Restrictor | 184501-000 | 184501-000 | 184501-000 |
| 29 | 3" Vent Terminal Restrictor | 184502-000 | 184502-000 | 184502-000 |
| *30 | Label, Electrical Diagram | 183765 | 183765 | 183765 |
| 31 | Label, Flammable Vapor/Scald Warning | 183301 | 183301 | 183301 |
| 32 | Label, Lighting & Operating Instruction | 183764 | 183764 | 183764 |
| *33 | Label, Relief Valve | 180078 | 180078 | 180078 |
| *34 | Label, Temperature | 182734 | 182734 | 182734 |
| *35 | Owner's Manual | 184674-001 | 184674-001 | 184674-001 |
| 36 | Pipe Insulation, 2' | 181639-003 | 181639-003 | 181639-003 |
| 37 | Insulation, T & P | 183256-000 | 183256-000 | 183256-000 |
| 38 | Heat Trap Nipples | 184715-003 | 184715-003 | 184715-003 |
| 39 | Spacer, Inlet Tube | 184011-000 | 184011-000 | 184011-000 |
| 40 | Tube, Inlet | 183359-41 | 183359-41 | 183359-45 |
| 41 | Valve, Drain - Brass | 26273-6 | 26273-6 | 26273-6 |
| 42 | Valve, Drain - Plastic | 42037-3 | 42037-3 | 42037-3 |
| 43 | Valve, T & P Relief | 43151-2 | 43151-2 | 43151-2 |
| 44 | Wire Harness | 183506-1 | 183506-1 | 183506-1 |
| 45 | Dirt Leg Assembly | 181206-1 | 181206-1 | 181206-1 |

* Not illustrated.

| GPCR-50 100 | GPSH-40 101 | GPSH-40 100 | GPSH-50 101 | GPSH-50 100 |
|----------------|----------------|----------------|----------------|----------------|
| 183523-29 | 183523-26 | 183523-26 | 183523-29 | 183523-29 |
| 181382 | 181382 | 181382 | 181382 | 181382 |
| 181360-2 | 181360-2 | 181360-2 | 181360-2 | 181360-2 |
| 183482 | 183482 | 183482 | 183482 | 183482 |
| 34894-1 | 34894-1 | 34894-1 | 34894-1 | 34894-1 |
| 183505-000 | 183505-000 | 183505-000 | 183505-000 | 183505-000 |
| 183380-2 | 183380-2 | 183380-2 | 183380-2 | 183380-2 |
| 185135-000 | 185135-000 | 185135-000 | 185135-000 | 185135-000 |
| 183508 | 183508 | 183508 | 183508 | 183508 |
| 183545 | 183545 | 183545 | 183545 | 183545 |
| 183545-1 | 183545-1 | 183545-1 | 183545-1 | 183545-1 |
| 185106-000 | 185106-000 | 185106-000 | 185106-000 | 185106-000 |
| 184052-3 | - - - - | - - - - | - - - - | 184052-1 |
| - - - - | 184050-2 | 184052 | 184050-3 | - - - - |
| 183717 | - - - - | 183717 | - - - - | 183717 |
| 183619 | - - - - | 183619 | - - - - | 183619 |
| 183630 | - - - - | 183630 | - - - - | 183630 |
| - - - - | 183325 | - - - - | 183325 | - - - - |
| 184047 | 184047 | 184047 | 184047 | 184047 |
| 181508-31 | - - - - | 181508-31 | - - - - | 181508-31 |
| - - - - | 181791-48 | - - - - | 181791-48 | - - - - |
| 184051-3 | - - - - | 184051 | - - - - | 184051-1 |
| - - - - | 184049 | - - - - | 184049-1 | - - - - |
| 183760-2 | - - - - | 183760 | - - - - | 183760 |
| - - - - | 183760-1 | - - - - | 183760-1 | - - - - |
| 183491 | 183491 | 183491 | 183491 | 183491 |
| 180522 | 180522 | 180522 | 180522 | 180522 |
| 183509-002 | 183509-002 | 183509-002 | 183509-002 | 183509-002 |
| 182787 | 182787 | 182787 | 182787 | 182787 |
| 181557 | 181557 | 181557 | 181557 | 181557 |
| 183571 | 183571 | 183571 | 183571 | 183571 |
| 192815 | 192815 | 192815 | 192815 | 192815 |
| 184501-000 | 184501-000 | 184501-000 | 184501-000 | 184501-000 |
| 184502-000 | 184502-000 | 184502-000 | 184502-000 | 184502-000 |
| 183765 | 183765 | 183765 | 183765 | 183765 |
| 183301 | 183301 | 183301 | 183301 | 183301 |
| 183764 | 183764 | 183764 | 183764 | 183764 |
| 180078 | 180078 | 180078 | 180078 | 180078 |
| 182734 | 182734 | 182734 | 182734 | 182734 |
| 184674-001 | 184674-001 | 184674-001 | 184674-001 | 184674-001 |
| 181639-003 | 181639-003 | 181639-003 | 181639-003 | 181639-003 |
| 183256-000 | 183256-000 | 183256-000 | 183256-000 | 183256-000 |
| 184715-003 | 184715-003 | 184715-003 | 184715-003 | 184715-003 |
| 184011-000 | 184011-000 | 184011-000 | 184011-000 | 184011-000 |
| 183359-45 | 183359-41 | 183359-41 | 183359-45 | 183359-45 |
| 26273-8 | 26273-6 | 26273-6 | 26273-6 | 26273-4 |
| 42037 | 42037-3 | 42037-3 | 42037-3 | 42037-1 |
| 43151-2 | 76527-3 | 76527-3 | 76527-3 | 76527-3 |
| 183506-1 | 183506-1 | 183506-1 | 183506-1 | 183506-1 |
| 181206-1 | 181206-1 | 181206-1 | 181206-1 | 181206-1 |

A.O. SMITH
WATER PRODUCTS
COMPANY

A.O. SMITH WATER PRODUCTS COMPANY

5621 W. 115TH STREET • ALSIP, ILLINOIS 60803

Phone: 1-800-433-2545 • Fax: 1-800-433-2515

Website: www.aosmithwaterheaters.com • E-mail: parts@hotwater.com