

# A.O. Smith

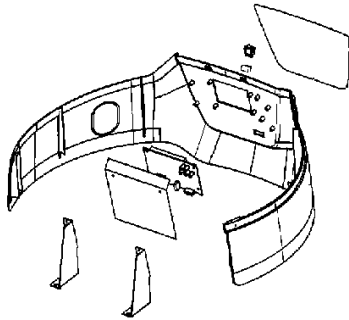
## Water Heaters

### COMMERCIAL GAS SERVICE PARTS LIST

A.O. Smith Water Heater Parts Fulfillment  
 125 Southeast Parkway • Franklin, TN 37068  
 www.hotwater.com • 1-800-433-2525

**MODELS:**  
 BTH 120/A  
 BTH 150/A  
 BTH 199/A  
 BTH 250/A  
**Series:**  
 100/101

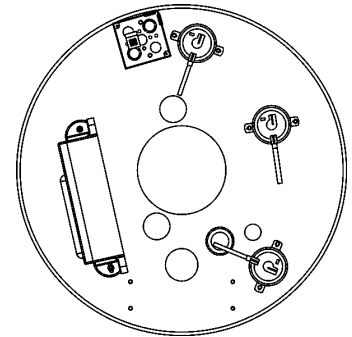
**DISPLAY CONTROL ASSEMBLY**  
 See Page 2



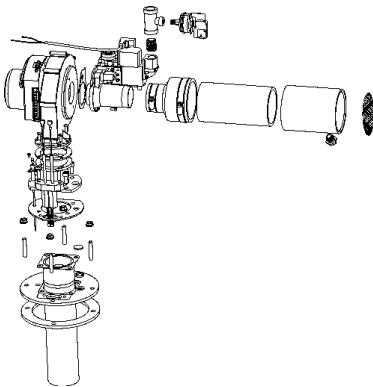
**BTH CYCLONE Xi - MODEL BTH-120/A-250/A**  
 See Page 2



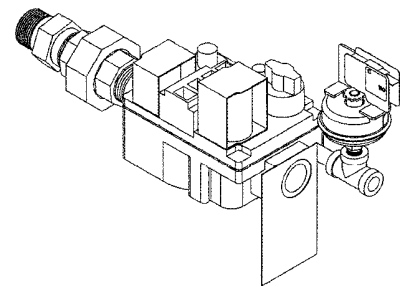
**INNER COVER CONTROL ASSEMBLY**  
 See Page 3



**BLOWER/BURNER ASSEMBLY**  
 See Page 4 & 5



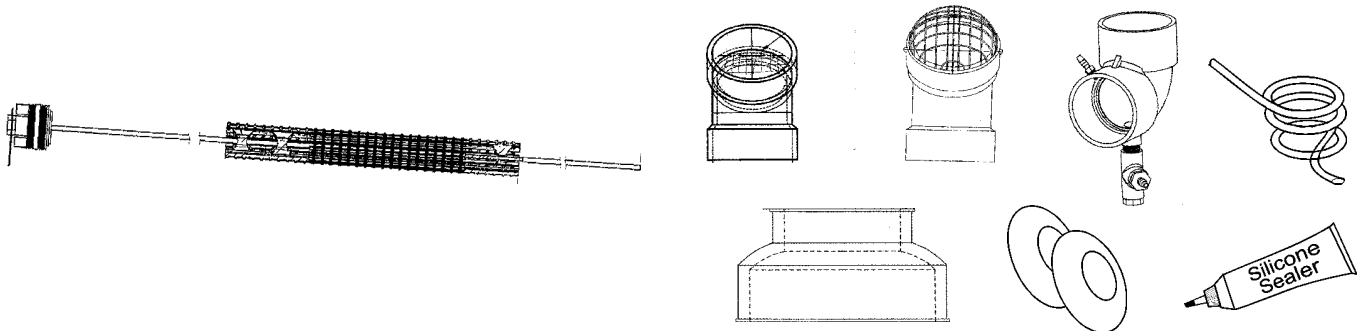
**GAS VALVE(S)**  
 See Page 6



**ELECTRONIC ANODE**  
 See Page 7



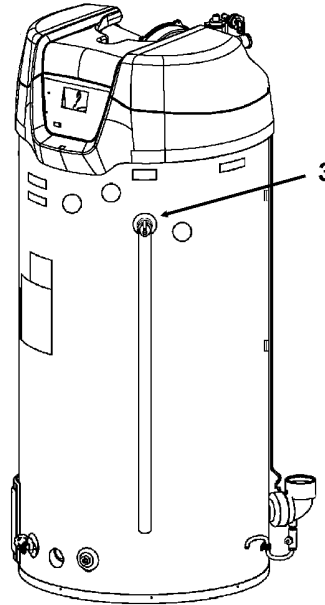
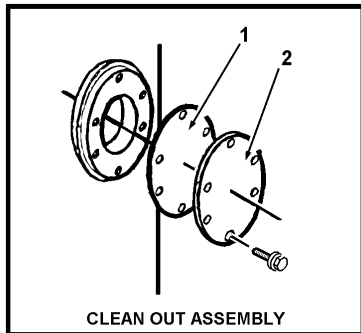
**EXHAUST ELBOW ASSEMBLY - VENT KIT ASSEMBLY**  
 See Page 7



## BTH CYCLONE Xi 120/A - 250/A CLEANOUT ASSEMBLY / TEMPERATURE & PRESSURE VALVE

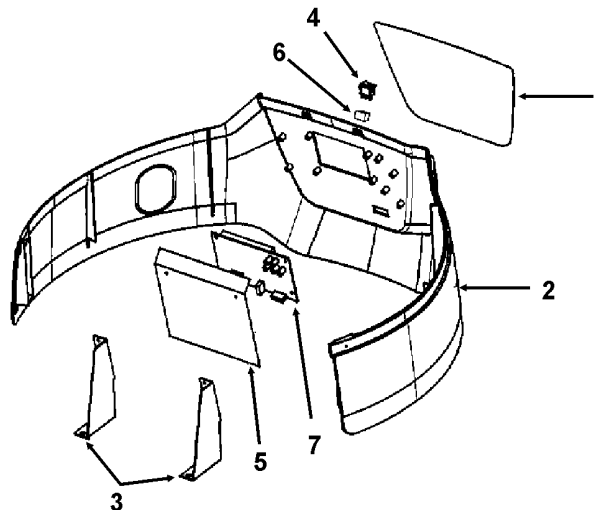
Item	Description	BTH 120/A 100/101	BTH 150/A 100/101	BTH 199/A 100/101	BTH 250/A 100/101
1	Cleanout Gasket .....	9004099015 .....	9004099015 .....	9004099015 .....	9004099015 .....
2	Cleanout Plate .....	9004098005 .....	9004098005 .....	9004098005 .....	9004098005 .....
3	T & P Valve .....	9005903205 .....	9005903205 .....	9005903205 .....	9005903205 .....
4	Lower Probe .....	9006242015 .....	9006242015 .....	9006242015 .....	9006242015 .....

Standard hardware items may be purchased locally.



## BTH CYCLONE Xi 120/A - 250/A - DISPLAY CONTROL ASSEMBLY

Item	Description	BTH 120/A 100/101	BTH 150/A 100/101	BTH 199/A 100/101	BTH 250/A 100/101
1	BTH Display Overlay .....	9006239005 .....	9006239005 .....	9006239005 .....	9006239005 .....
2	Display Band .....	9006270005 .....	9006270005 .....	9006270005 .....	9006270005 .....
3	Display Band Mount .....	9006271015 .....	9006271015 .....	9006271015 .....	9006271015 .....
4	On/Off Switch .....	9005929215 .....	9005929215 .....	9005929215 .....	9005929215 .....
5	Splatter Shield .....	197763-000 .....	197763-000 .....	197763-000 .....	197763-000 .....
6	Switch Wire Connection .....	197758-000 .....	197758-000 .....	197758-000 .....	197758-000 .....
7	User Interface Module - UIM .....	9006240005 .....	9006240005 .....	9006240005 .....	9006240005 .....



**A.O. Smith**  
Water Heaters

A.O. Smith Water Heater Parts Fulfillment • phone: 1-800-433-2545 • www.hotwater.com

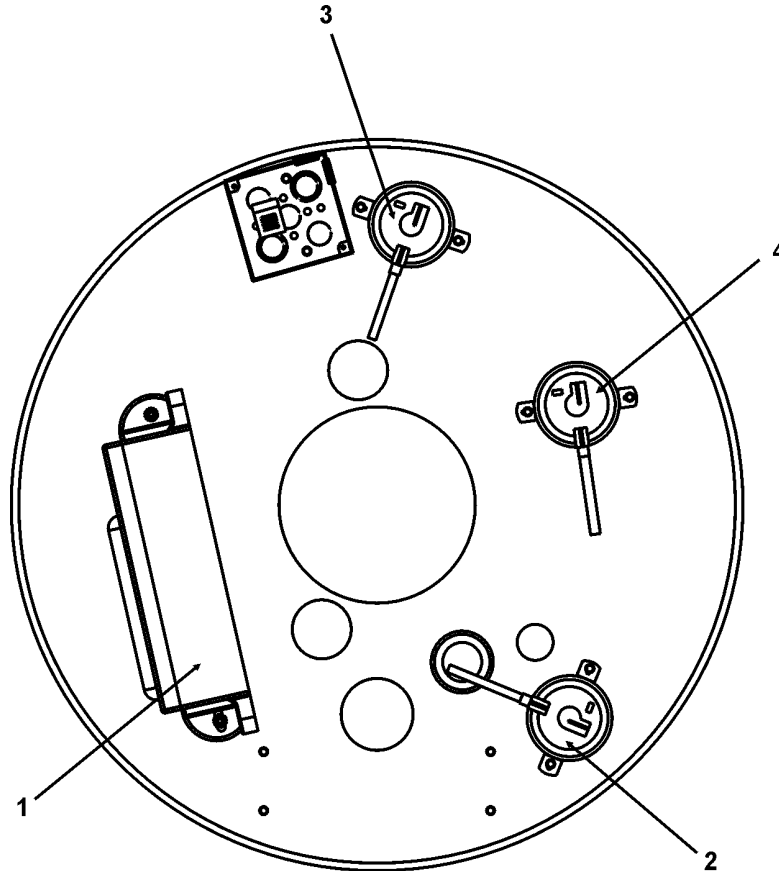
**BTH CYCLONE Xi INNER COVER CONTROL ASSEMBLY - MODELS 120/A & 150/A**

Item	Description	BTH 120/A		BTH 150/A	
		100	101	100	101
1	Controller	9006262005	9006266005	9006263005	9006267005
2	Switch-blocked outlet	9006287015	9006287015	9006289015	9006287015
3	Switch-inlet	9006288015	9006281015	9006288015	9006281015
4	Switch-prover	9006280015	9006280015	9006280015	9006280015
5	Upper probe	9004238215	9004238215	9004238215	9004238215

**BTH CYCLONE Xi INNER COVER CONTROL ASSEMBLY - MODELS 199/A & 250/A**

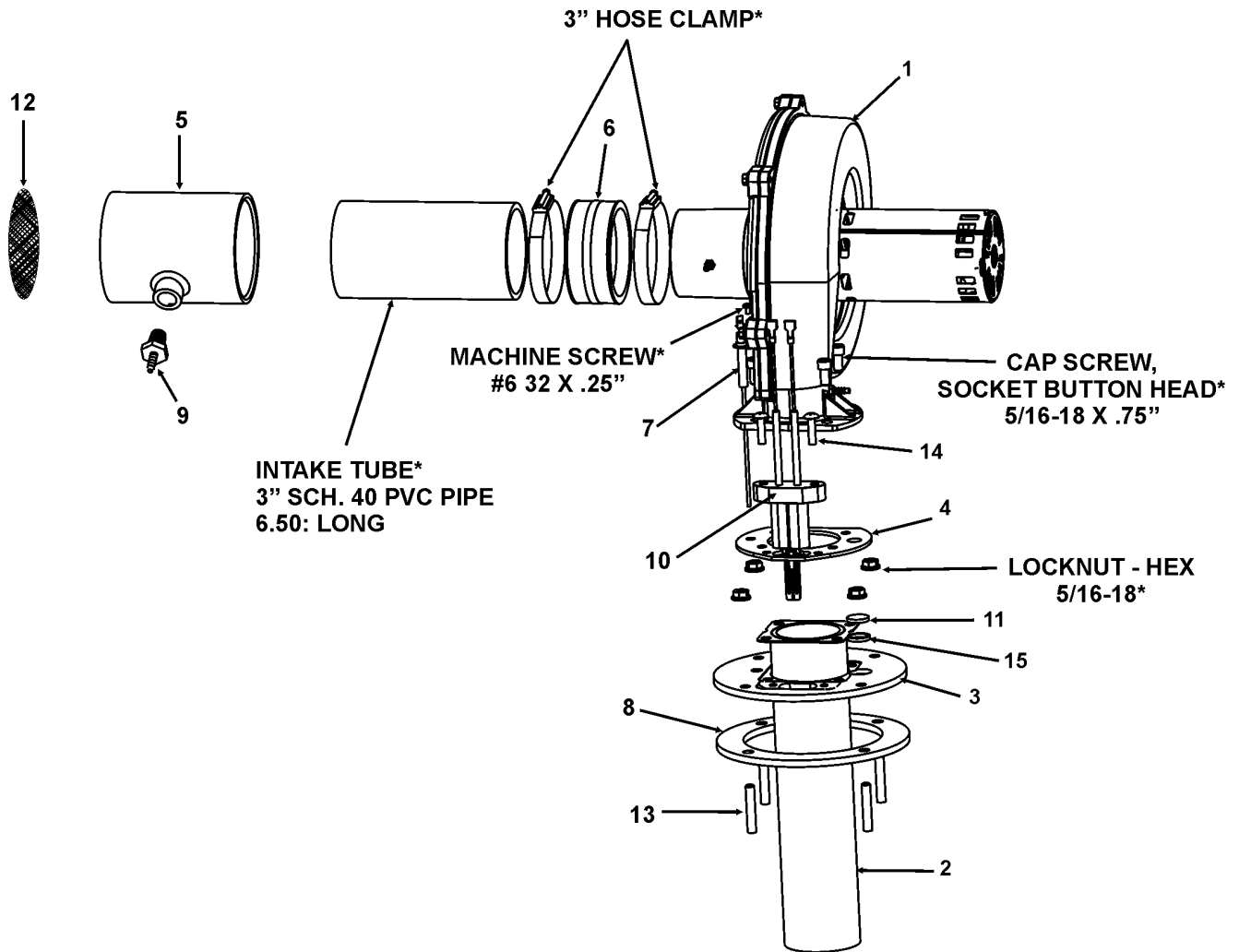
Item	Description	BTH 199/A		BTH 250/A	
		100	101	100	101
1	Controller	9006264005	9006268005	9006265005	9006269005
2	Switch-blocked outlet	9006289015	9006282015	9006282015	9006282015
3	Switch-inlet	9006288015	9006281015	9006281015	9006281015
4	Switch-prover	9006280015	9006280015	9006280015	9006280015
5	Upper probe	9004238215	9004238215	9004238215	9004238215

Standard hardware items may be purchased locally.



## BURNER / BLOWER ASSEMBLY - MODELS 120/A & 150/A

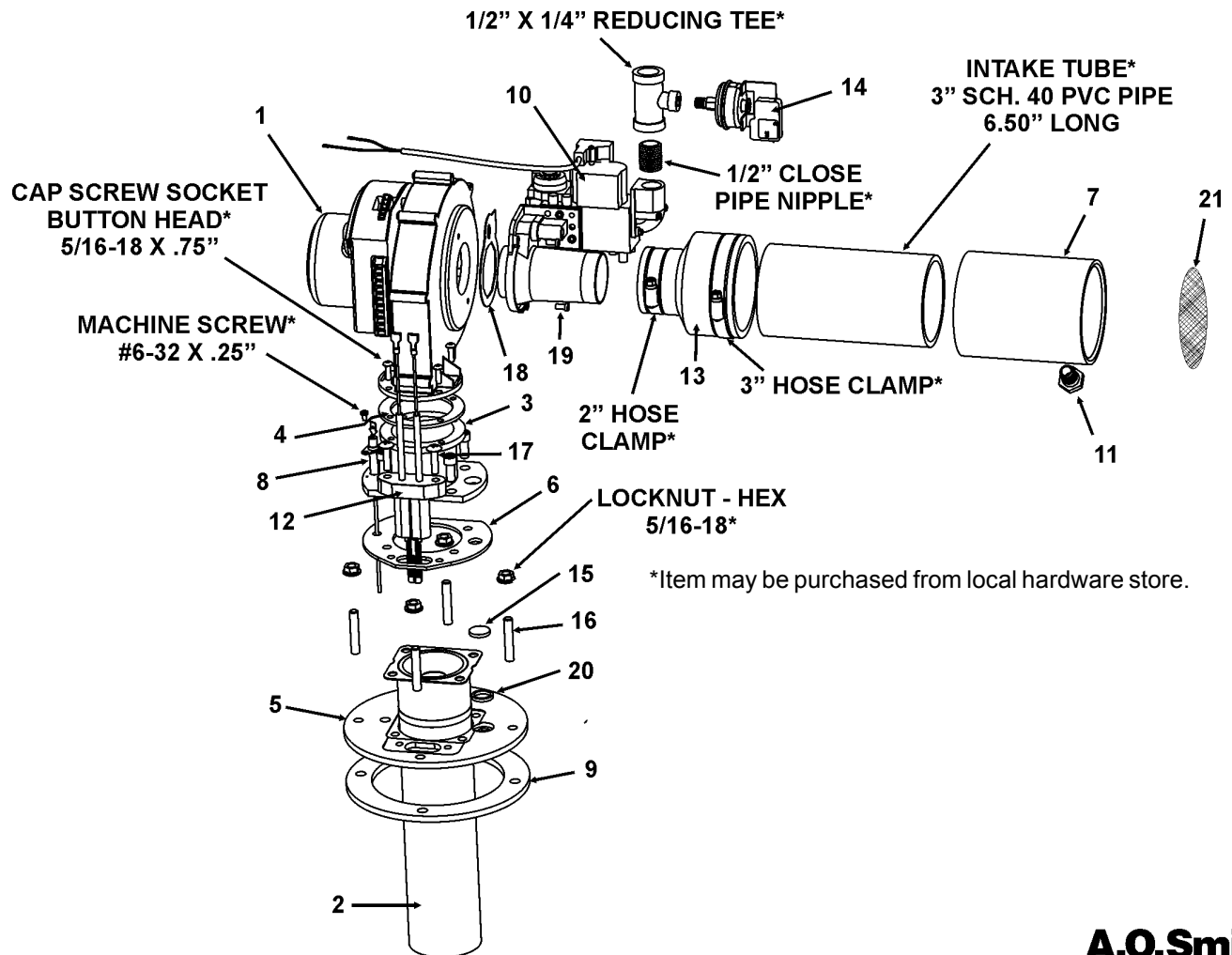
Item	Description	BTH 120/A		BTH 150/A	
		100	101	100	101
1	Blower	9006272005	9006272005	9006273005	9006273005
2	Burner	9006275005	9006276005	9006277005	9006278005
3	Burner Flange	197256-000	197256-000	197256-000	197256-000
4	Burner Gasket	197257-000	197257-000	197257-000	197257-000
5	Condensate Tee	181865-000	181865-000	181865-000	181865-000
6	Coupling-Power Vent	9006107205	9006107205	9006107205	9006107205
7	Flame Sensor	9006106205	9006106205	9006106205	9006106205
8	Flange Gasket	194817-000	194817-000	194817-000	194817-000
9	Hose Barb 1/2" x 1/4"	181863-000	181863-000	181863-000	181863-000
10	Igniter	9006101205	9006101205	9006101205	9006101205
11	Observation Window	9006102215	9006102215	9006102215	9006102215
12	Screen Wire	9006027015	9006027015	9006027015	9006027015
13	Stud 5-16-18 x 1 3/4"	196881-000	196881-000	196881-000	196881-000
14	Truss Hd Machine Screw 1/4-20 x 1.00"	194816-000	194816-000	194816-000	194816-000
15	Viewport Gasket	9006103215	9006103215	9006103215	9006103215



**A.O. Smith**  
Water Heaters

## BLOWER / BURNER ASSEMBLY - MODELS 199/A & 250/A

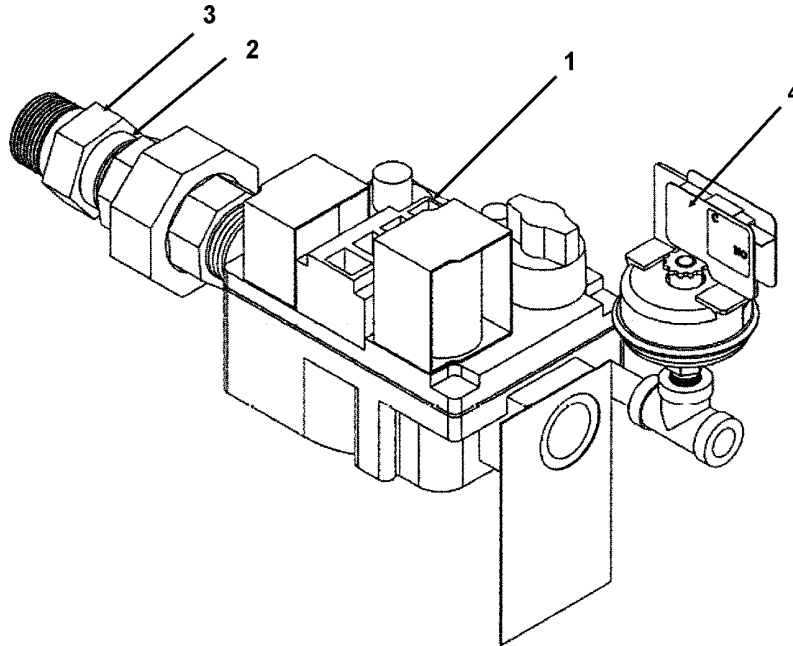
Item	Description	BTH 199/A & 250/A 100	BTH 199/A & 250/A 101
1	Blower Assembly	9006274005	9006274005
2	Burner	9006279005	9006279005
3	Burner - Adapter	197607-000	197607-000
4	Burner - Gasket A	197618-000	197618-000
5	Burner Flange	197611-000	197611-000
6	Burner Gasket B	197257-000	197257-000
7	Condensate Tee	181865-000	181865-000
8	Flame Sensor	9006106205	9006106205
9	Flange-Gasket	194817-000	194817-000
10	Gas Valve - Venturi Assembly	9006285005	9006286005
11	Hose Barb	181863-000	181863-000
12	Igniter	9006101205	9006101205
13	Intake Connector	197604-000	197604-000
14	Low gas switch	9006255015	9006256015
15	Observation Window	9006102215	9006102215
16	Stud 5/16-18 x 1 3/4"	196881-000	196881-000
17	Truss Hd. Mach. Screw 1/4-20 x 1.00	194816-000	194816-000
18	Venturi Gasket	197789-000	197789-000
19	Venturi Mounting Screw	197790-000	197790-000
20	Viewport Gasket	9006103215	9006103215
21	Wire Screen	9006027015	9006027015



**A.O. Smith**  
Water Heaters

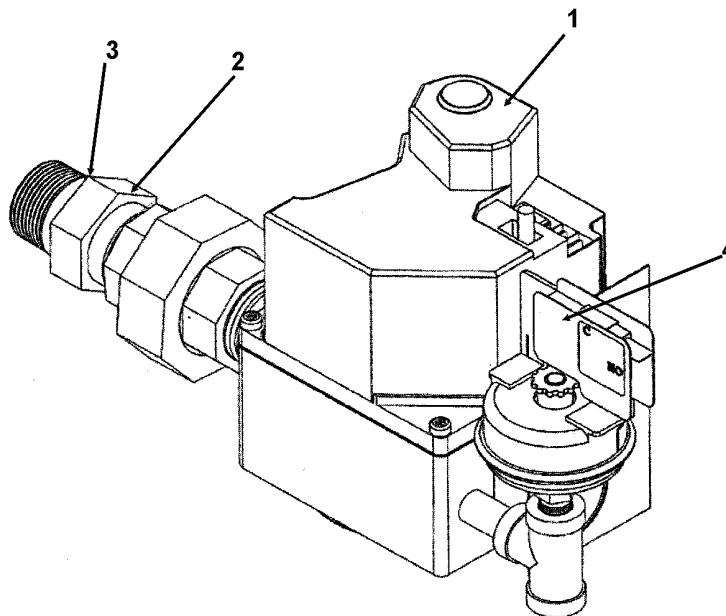
### GAS VALVE ASSEMBLY - MODELS 120/A

Item	Description	BTH 120/A 100	BTH 120/A 101
1.....	Gas Valve .....	9004535205 .....	9004536205 .....
2.....	Orifice .....	9006259015 .....	9006257015 .....
3.....	Orifice Holder .....	9006094215 .....	9006094215 .....
4.....	Switch-Low Gas Pressure .....	9006256015 .....	9006255015 .....



### GAS VALVE ASSEMBLY - MODELS 150/A

Item	Description	BTH 150/A 100	BTH 150/A 101
1.....	Gas Valve .....	9006283005 .....	9006284005 .....
2.....	Orifice .....	9006260015 .....	9006258015 .....
3.....	Orifice Holder .....	9006094215 .....	9006094215 .....
4.....	Switch-Low Gas Pressure .....	9006256015 .....	9006255015 .....



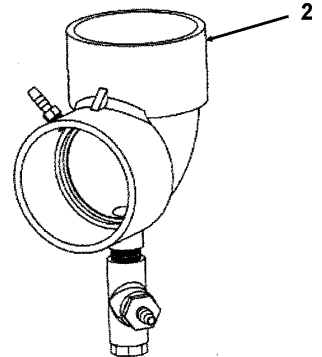
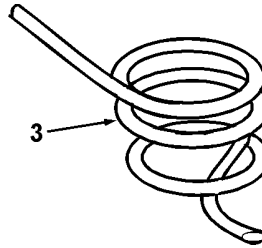
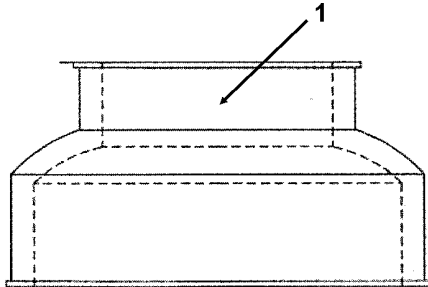
**A.O. Smith**  
Water Heaters

## EXHAUST CONNECTOR ASSEMBLY - MODELS 120/A - 250/A

BTH 120/A - 250/A  
100 / 101

Item	Description	Part Number
1	Exhaust Connector	9006157205
2	Exhaust Elbow Assembly	9006261005
*2	Exhaust Elbow Assembly (Canada)	9006332005
3	Tubing-Condensate	9006110215

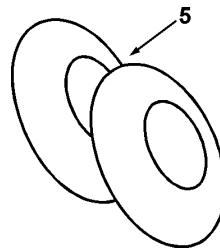
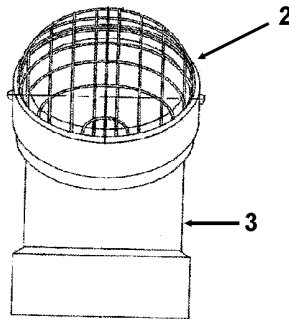
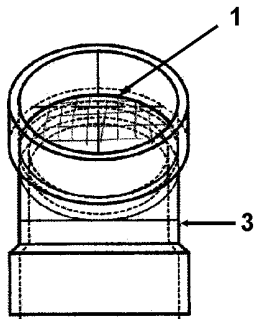
\*Effective July 1, 2008



## VENT KIT ASSEMBLY - MODELS 120/A - 250/A

BTH 120/A - 250/A  
100 / 101

Item	Description	Part Number
1	Exhaust Screen	9006027015
2	Intake-Screen Collar Assembly	182162-000
3	PVC 45 Degree Elbow	181901-000
3	PVC 45 Degree Elbow (Canada)	197868-000
4	Silicone	9004366105
5	Wall Plate	9004364105

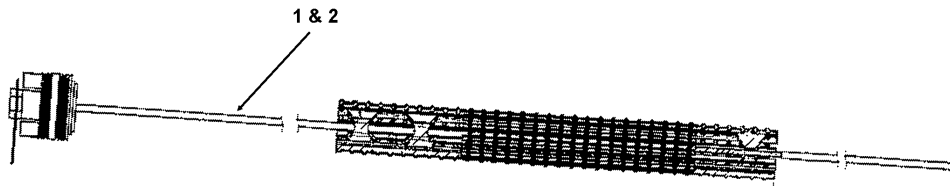


## ELECTRONIC ANODE ASSEMBLY - MODELS 120/A - 250/A

BTH 120/A  
100 / 101

BTH 150/A, 199/A, 250/A  
100 / 101

Item	Description	Part Number
1	Electronic Anode	9006246005
2	Electronic Anode	9006247005

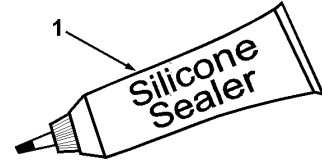
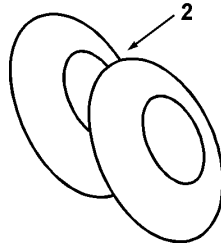
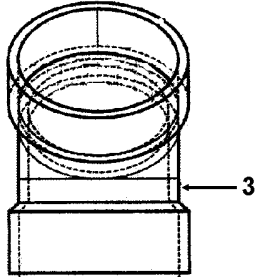


**A.O. Smith**  
Water Heaters

**OPTIONAL VENT KIT ASSEMBLY FOR 4" VENTING (ALL MODELS) #9006311005 (U.S.)**

**BTH 120/A thru 250/A  
100 / 101**

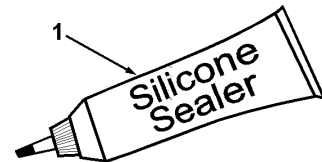
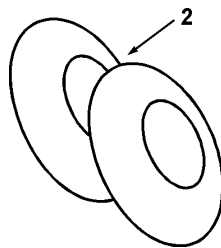
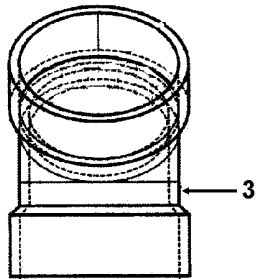
Item	Description	
1.....	Silicone .....	9004366105
2.....	Wall Plate .....	197392-000
3.....	Vent Terminal Assembly 4" .....	197804-000



**OPTIONAL VENT KIT ASSEMBLY FOR 4" VENTING (ALL MODELS) #9006339005 (CANADA)**

**BTH 120/A thru 250/A  
100 / 101**

Item	Description	
1.....	Silicone .....	9004366105
2.....	Wall Plate .....	197392-000
3.....	Vent Terminal Assembly 4" .....	197879-000



**A.O. Smith**  
**Water Heaters**

**A.O. Smith Water Heater Parts Fulfillment**  
125 Southeast Parkway  
Franklin, TN 37068  
1-800-433-2545  
www.hotwater.com