

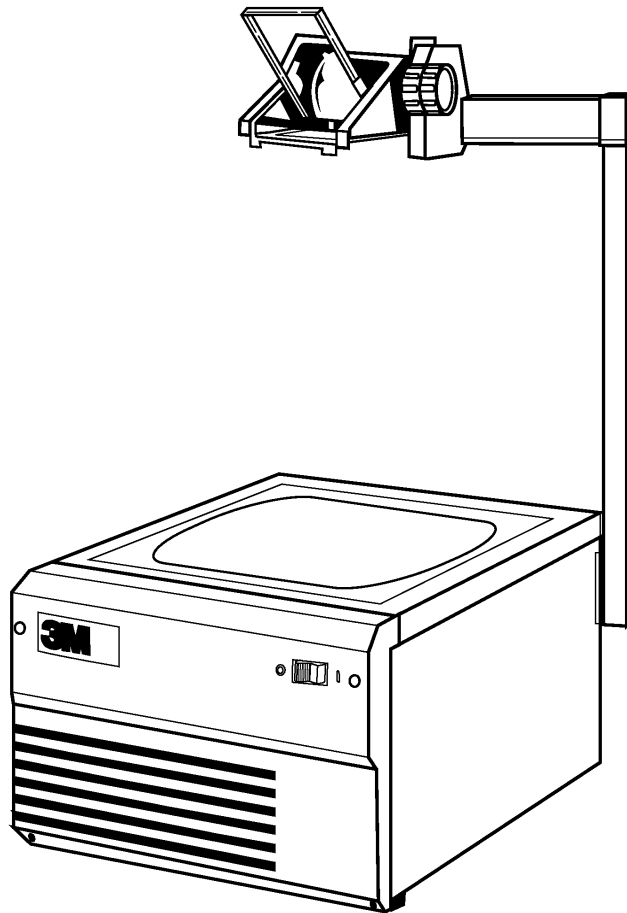
3M

4400 Series

Overhead Projector

Illustrated Parts Breakdown

For: 4405 4406 4407
4408 4410 4415 4420



Introduction	7-1
Part Numbers	7-1
Locating and Identifying a Part	7-1
Machine Identification Plate	7-1
Section 0 OVERVIEW	7-3
Section 1 OPEN SINGLET HEAD ASSEMBLY	7-4
Section 2 CLOSED SINGLET HEAD ASSEMBLY	7-6
Section 3 CLAMSHELL HEAD ASSEMBLY	7-8
Section 4 ARM AND FOCUS ASSEMBLY	7-10
Section 5 TOP COVER ASSEMBLY	7-12
Section 6 BASE ASSEMBLY	7-14
Section 7 FRONT COVER ASSEMBLY	7-16
Section 8 LAMP HOUSING	7-18
Section 9 WIRE JUMPERS	7-20
Appendix A SPECIFICATIONS	23

Introduction

This Illustrated Parts Breakdown (IPB) contains the information necessary to locate and identify specific parts of the 4400 Series Overhead Projectors.

Part Numbers

All components available on a replacement basis are listed with their 3M identification number. The parts identification list opposite each illustration provides the description adequate to identify components.

Locating and Identifying a Part

If physical appearance and general location of an item are known:

6. Use the Overview illustration to determine which section includes the item.
7. Refer to the section and locate the item on the exploded view illustration.

The part identification numbers provided in this manual are from the most current data available. Make sure part identification numbers for your component have not been amended by changes and updates made to your 4400 Series Overhead Projector.

Machine Identification Plate

The Machine Identification Plate is located on the bottom side of each projector and lists specific information that is needed when calling for technical assistance or ordering parts.

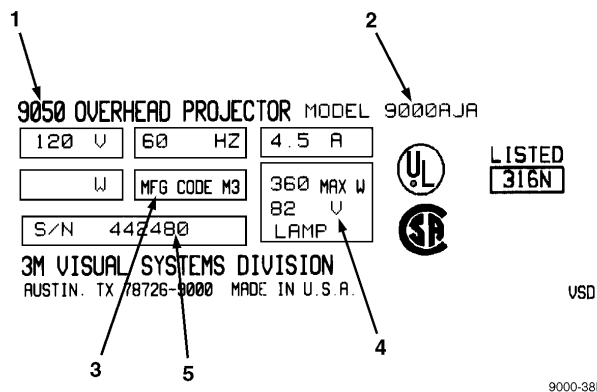


Figure 7-2. Machine Identification Plate

When ordering parts, include part identification number, description, quantity and the following information:

1. Product Name: The specific version number of the projector.
2. Model Number/Alpha Code: The series number of the projector followed by a three or four character alpha code identifier. The Alpha Code indicates the design level, specific product characteristics, power cord or distribution specific to a country.
3. MFG Code: The date the projector was manufactured. See example below:

MFG Code			
Letter		Digit	
L	1992	1	Jan – Mar
M	1993	2	Apr – Jun
A	1994	3	Jul – Sep
C	1995	4	Oct – Dec
D	1996	1	Jan – Mar

4. Lamp: The electrical rating of the lamp.
5. S/N: The serial number assigned to this projector.

For part orders contact:

Dealers:	Refer to Dealers Guide
3M Subsidiaries:	Contact Export Operations
Retail Customers:	
FAX:	1-800-852-3917
Telephone:	1-800-328-2883

This page intentionally left blank.

Table of Contents

Section No.	Title	Page
0	Overview	3
1	Open Singlet Head Assembly	4
2	Closed Singlet Head Assembly	6
3	Clamshell Head Assembly	8
4	Arm and Focus Assembly	10
5	Top Cover Assembly	12
6	Base Assembly	14
7	Front Cover Assembly	16
8	Lamp Housing Assembly	18
9	Wire Jumpers	20
Appendix A	Specifications	23

IMPORTANT NOTICE

**3M reserves the right to sell or furnish NEW OR RECONDITIONED PARTS.
New and reconditioned parts are covered by the same 3M new parts limited warranty.**

This page intentionally left blank.

Section 0
OVERVIEW

Closed Singlet Head Assembly
(See Section 2)

Open Singlet Head Assembly
(See Section 1)

Arm and Focus Assembly
(See Section 4)

Top Cover Assembly
(See Section 5)

Base Assembly
(See Section 6)

Front Cover Assembly
(See Section 7)

Base Assembly
(See Section 6)

Clamshell Head Assembly
(See Section 3)

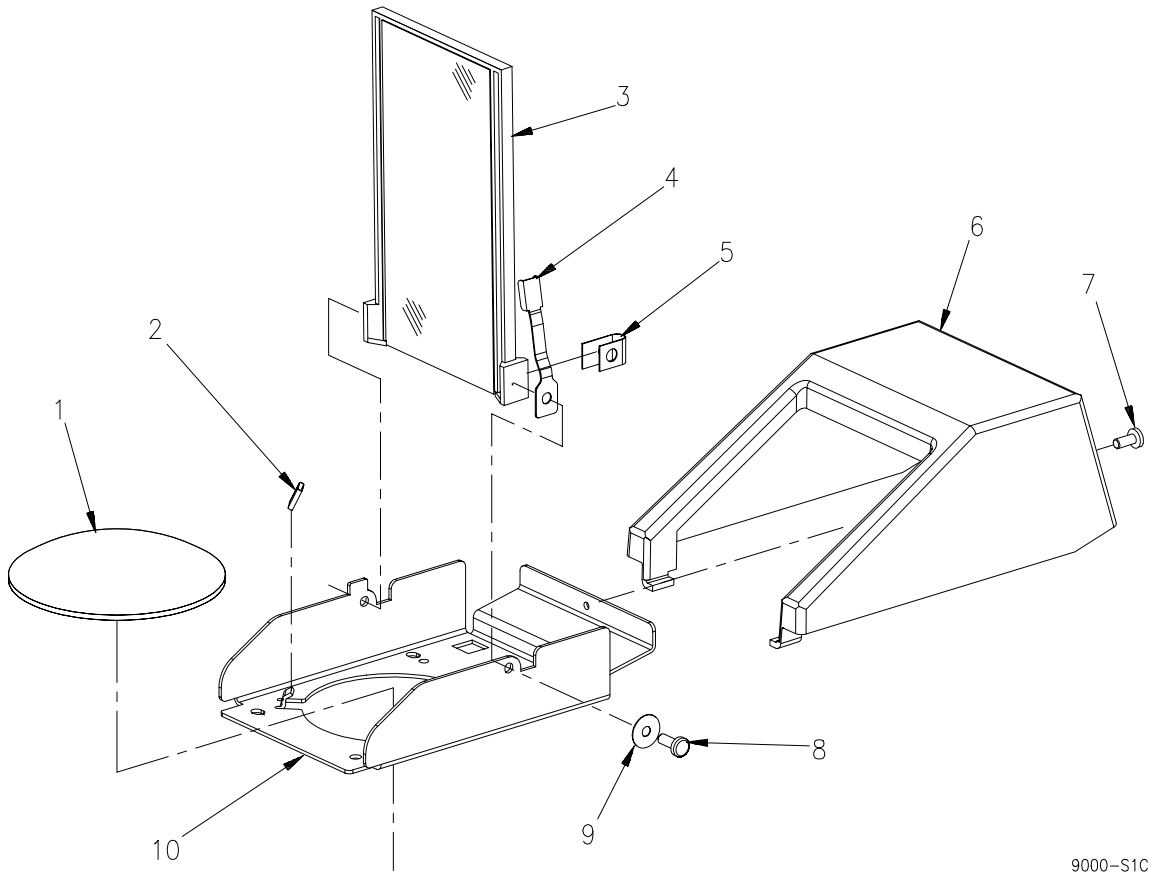
Top Cover Assembly
(See Section 5)

Arm and Focus Assembly
(See Section 4)

Front Cover Assembly
(See Section 7)

Base Assembly
(See Section 6)

Section 1
OPEN SINGLET HEAD ASSEMBLY

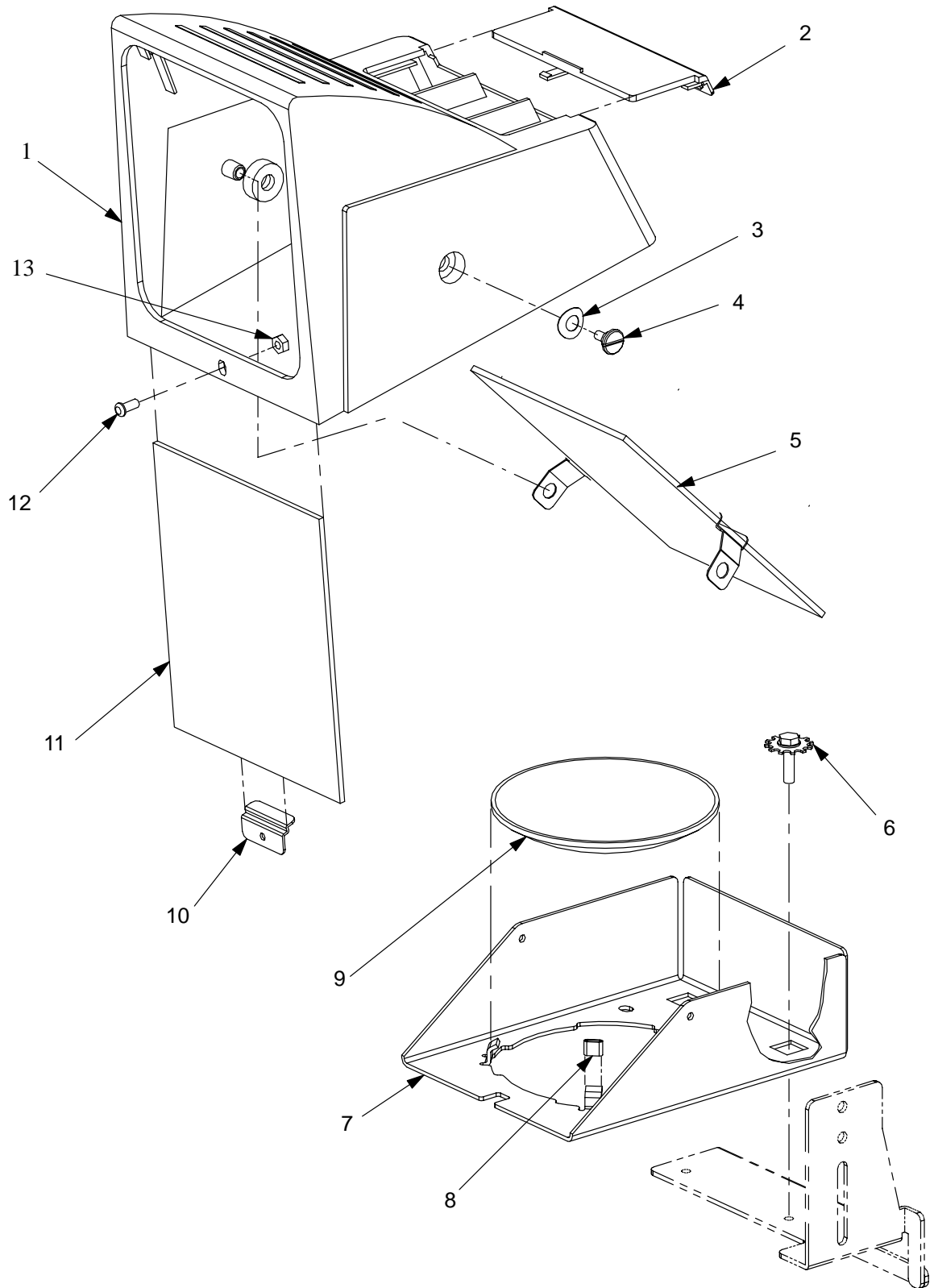


9000-S1C

Section 1
OPEN SINGLET HEAD ASSEMBLY

Item No.	Part Number	Description	Qty
0	78-8079-9151-4	HEAD ASSEMBLY, Open Singlet (Complete)	1
1	78-8014-8951-5	LENS, Wide Angle (293mm)	1
2	78-8064-1646-3	TUBING, Lens	3
3	78-8096-5798-0	MIRROR ASSEMBLY, Open Singlet, Mirror	1
4	78-8064-1605-9	SPRING, Mirror Damping	1
5	78-8003-9762-8	NUT, U-Type, 8-32	1
6	78-8079-8802-3	COVER, Head, Singlet	1
7	26-1008-5592-8	SCREW, Taptite, M3.5 x 8	1
8	26-1005-9570-5	SCREW, Mach. 8-32 x 7/16	1
9	26-1004-0460-2	WASHER, Plain Nylon	1
10	78-8079-8803-1	BRACKET, Lens, Singlet	1

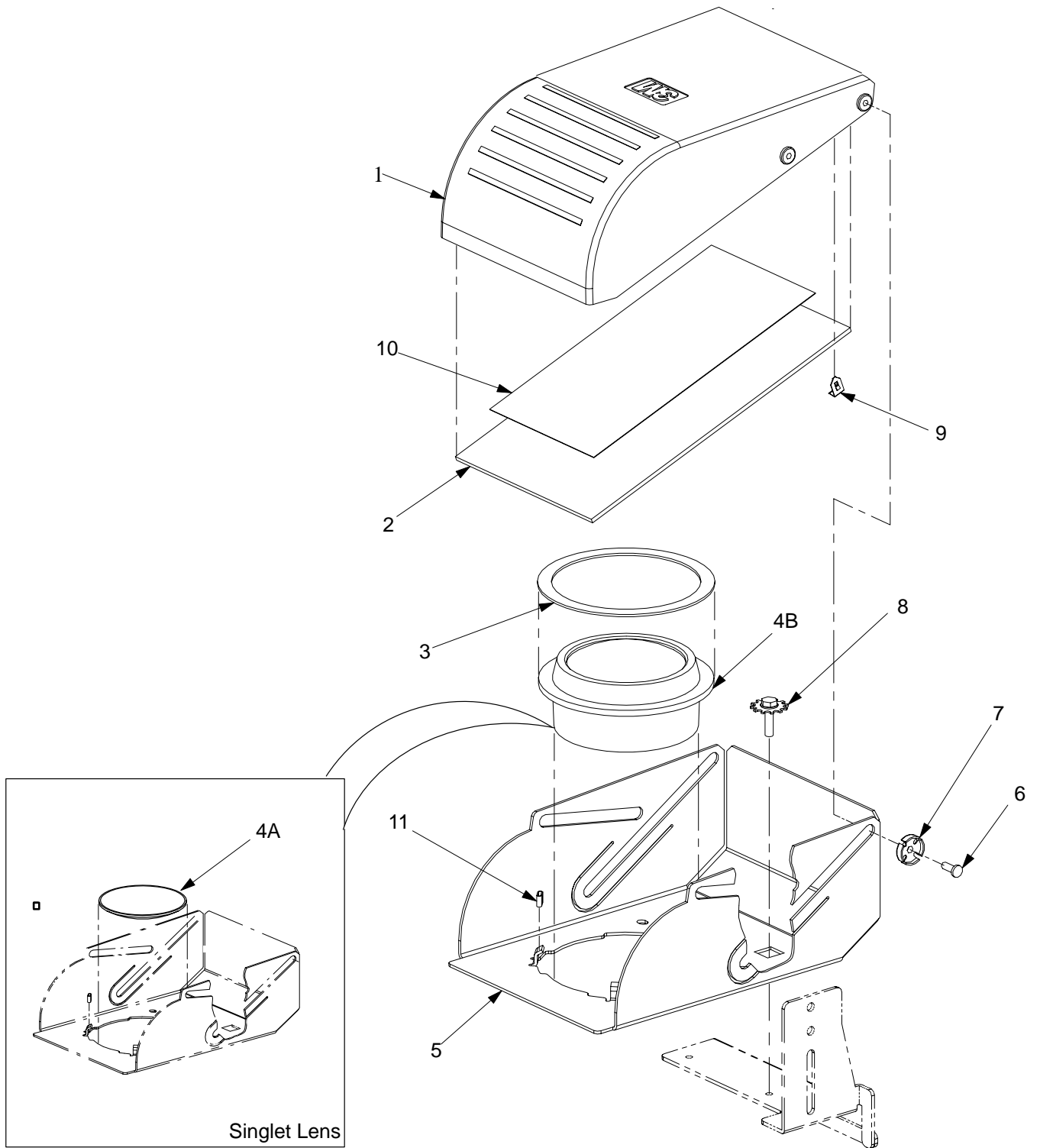
Section 2
CLOSED SINGLET HEAD ASSEMBLY



Section 2
CLOSED SINGLET HEAD ASSEMBLY

Item No.	Part Number	Description	Qty
0	78-8079-9152-2	HEAD ASSEMBLY, Closed Singlet (Complete)	1
1A	78-8096-5751-9	COVER, Head, Closed Singlet	1
1B	78-8096-5812-9	COVER, Head, Closed Singlet (Xerox)	1
2	78-8096-5767-5	ACCESS CAP, Closed Single	1
3	26-1009-9888-4	WASHER, Spring	2
4	78-8096-5757-6	SCREW, Shoulder Head, Closed Singlet	2
5	78-8096-5797-2	MIRROR ASSEMBLY, Closed Singlet	1
6	26-1009-9749-8	SCREW, Taptite, Sems, M4 X 10	2
7	78-8096-5752-7	BRACKET, Head, Closed Singlet	1
8	78-8064-1646-3	TUBING, Lens	1
9A	78-8014-8951-5	LENS, Wide Angle (293 mm)	1
9B	78-8096-5792-3	LENS, Long Throw (355mm)	1
10	78-8096-5754-3	RETAINER, Glass, Head, Closed Singlet	1
11	78-8096-5753-5	GLASS, Closed Singlet Head,	1
12	26-1002-5268-8	SCREW, Machine, 6-32x3/8	1
13	26-1001-7983-2	NUT, Keps, 6-32	1

Section 3
CLAMSHELL HEAD ASSEMBLY



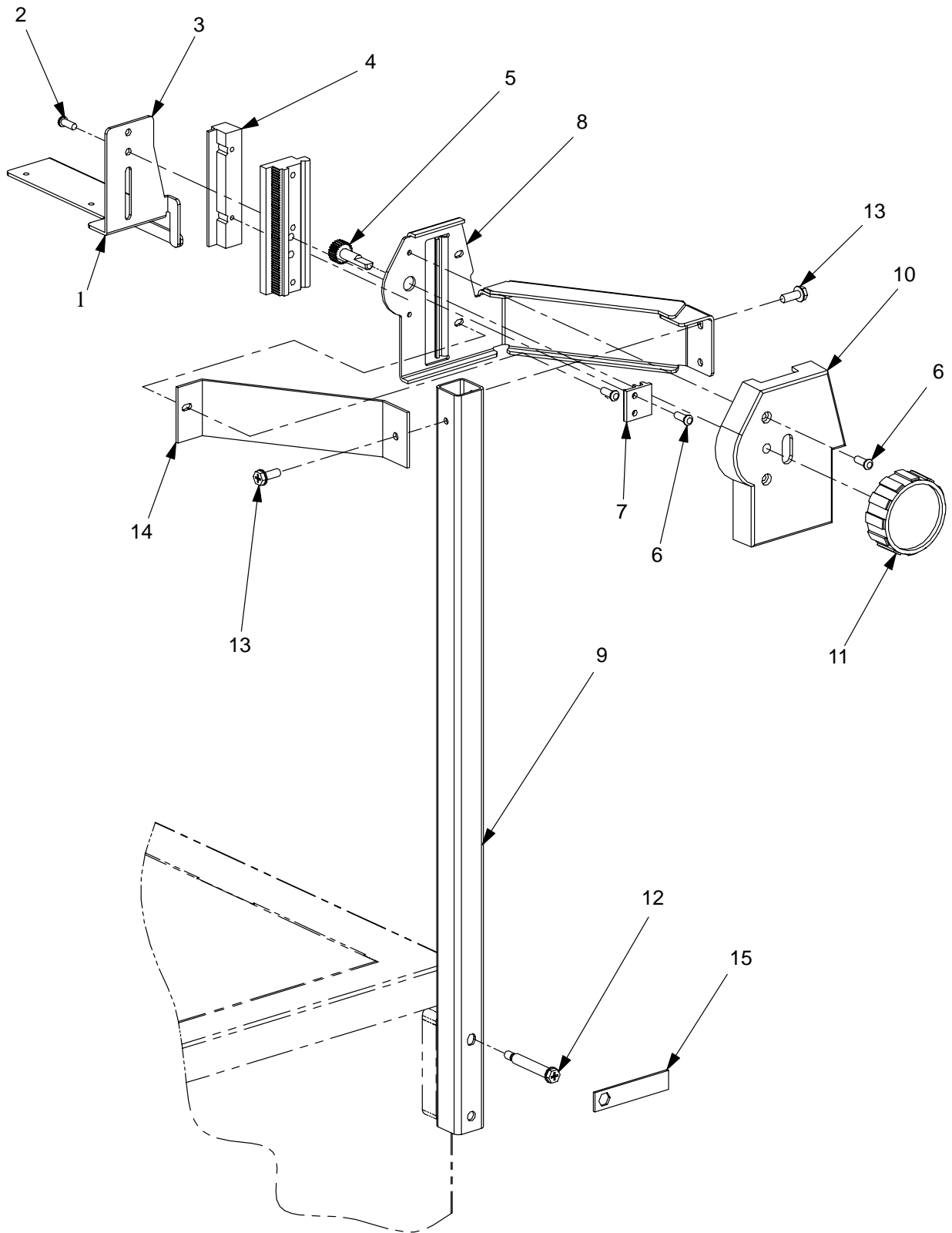
Section 3
CLAMSHELL HEAD ASSEMBLY

Item No.	Part Number	Description	Qty
1	78-8096-5760-0	COVER, Head, Clamshell	1
2A	78-8096-5801-2	MIRROR ASSEMBLY, Clamshell Head, Singlet	1
2B	78-8096-5799-8	MIRROR ASSEMBLY, Clamshell Head, Triplet	1
3	78-8096-5790-7	RING, Adapter, Triplet Lens	1
4A	78-8014-8951-5	LENS, Singlet (293mm)	1
4B	78-8064-1833-7	LENS, Triplet (340mm)	1
5	78-8096-5761-8	BRACKET, Head	1
6A	78-8096-5757-6	SCREW, Shoulder Head (See Note 1)	2
6B	26-1007-5427-9	SCREW, Plastite, 6-19 X 3/8 (See Note 2)	2
7A	77-8001-3672-1	WASHER, Spring (See Note 1)	2
7B	26-1003-3672-1	WASHER, Nylon (See Note 1)	2
7C	78-8096-5802-0	BUSHING, Flange (See Note 2)	2
8	26-1009-9749-8	SCREW, Taptite, Sems, M4 X 10	2
9	26-1009-9788-6	CLIP, Mirror	4
10	78-8057-4150-7	LABEL, Projection Mirror	1
11	78-8064-1646-3	TUBING, Lens	3

Note:

1. Used on:
Mfg. Code A3 and earlier.
2. Used on:
Mfg. Code A3 and up.

Section 4
ARM AND FOCUS ASSEMBLY



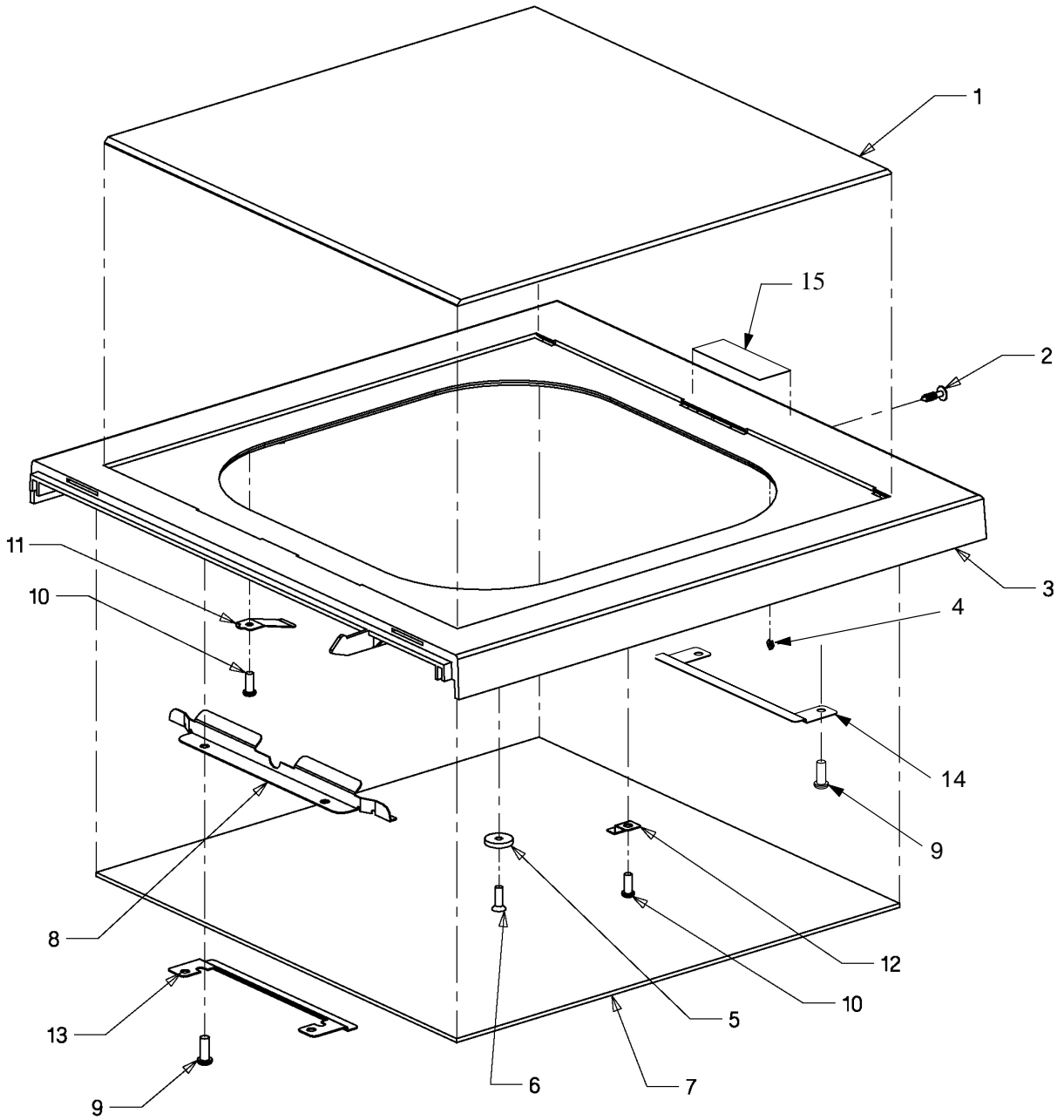
Section 4
ARM AND FOCUS ASSEMBLY

Item No.	Part Number	Description	Qty
1	78-8096-5758-4	BRACKET, Head	1
2	26-1002-6172-1	SCREW, Plastite, M4.7 X 10	2
3	78-8064-1555-6	GUIDE, Gear Rack	1
4	78-8064-1552-3	GEAR RACK, Focus	1
5	78-8064-1522-6	GEAR, Focus	1
6	26-1002-4971-8	SCREW, Plastite, 6-19 X 1/2	4
7	78-8064-1556-4	SLIDE, Focus	1
8	78-8096-5744-4	ARM, Detachable	1
9A	78-8096-5743-6	POST (See Note 1)	1
9B	78-8096-5788-1	POST, Extended (See Note 2)	1
10	78-8064-1506-9	COVER, Focus	1
11	78-8064-1601-8	KNOB, Focus	1
12	78-8079-8811-4	BOLT, Post	2
13	26-1009-9690-4	SCREW, Crimptite, 10-24 X 1/2	3
14	78-8096-5787-3	BRACKET, Stiffening Arm	1
15	78-8096-5804-6	WRENCH	1

Note:

1. Used on:
all versions except as noted.
2. Used on:
4406 AJE, AJEX,
4415,
4420 ABCJ, AHCA, AHCC, AHCN, AHCR, AHCS, AHCU and AHCZ.

Section 5
TOP COVER ASSEMBLY



Section 5
TOP COVER ASSEMBLY

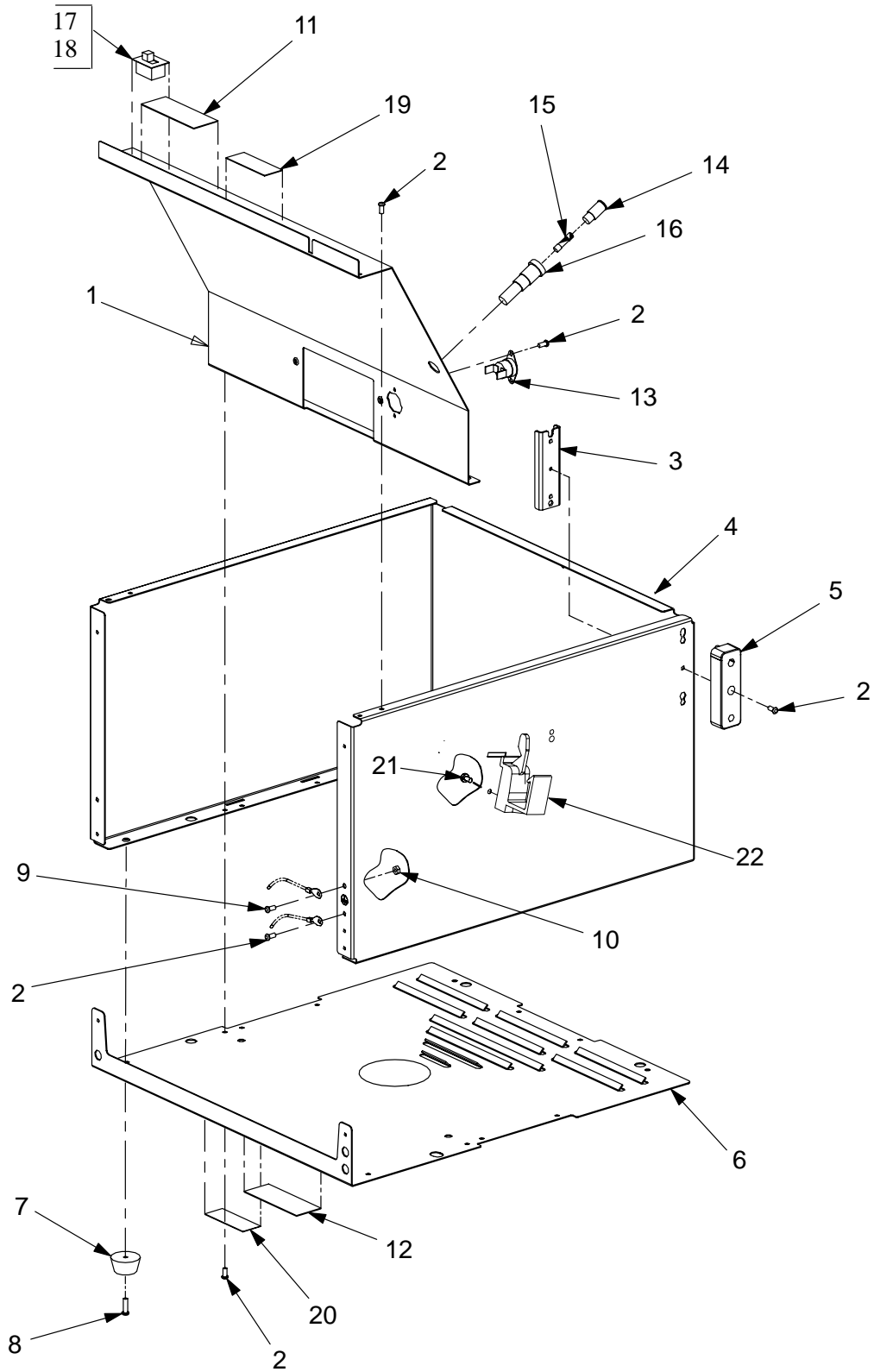
Item No.	Part Number	Description	Qty
1	78-8064-1473-2	GLASS, Stage	1
2	78-8096-5750-1	SCREW, Cover	1
3A	78-8096-5701-4	COVER, Top (10.5 X 10.5)	1
3B	78-8096-5729-5	COVER, Top (A4) (Used on all A4 version except as noted below.)	1
3C	78-8096-5824-4	COVER, Top (A4 Reworked) (See Note 1)	1
4	78-8003-8593-8	RING, Retaining, Rotor Clip	1
5	78-8096-5731-1	WASHER, Plastic	1
6	26-1001-7983-2	NUT, Keps, 6-32	1
7A	78-8096-5791-5	FRESNEL (Used on all versions except 4420)	1
7B	78-8097-3637-0	FRESNEL (Used on 4420 only)	1
8	78-8064-1531-7	RETAINER, Stage Glass	1
9	26-1002-6172-1	SCREW, Plastite, M4 .7 X 10	2
10	26-1002-4971-8	SCREW, Plastite, 6-19 X 1/2	1
11	78-8096-5717-0	SPRING, Cover Detent	1
12	78-8096-5786-5	CLIP, Fresnel	1
13	78-8096-5822-8	FRESNEL, Retainer, Back	1
14	78-8096-5814-5	FRESNEL, Retainer, Front	1
15	78-8096-5809-5	LABEL, Lampchanger	1

Note:

1. Used on:

4405 AAAB, ABAJ, AHAA, AHAC, AHAN, AHAR, AHAS, AHAU, and AHAZ
4408 AADB and ABDJ

Section 6
BASE ASSEMBLY



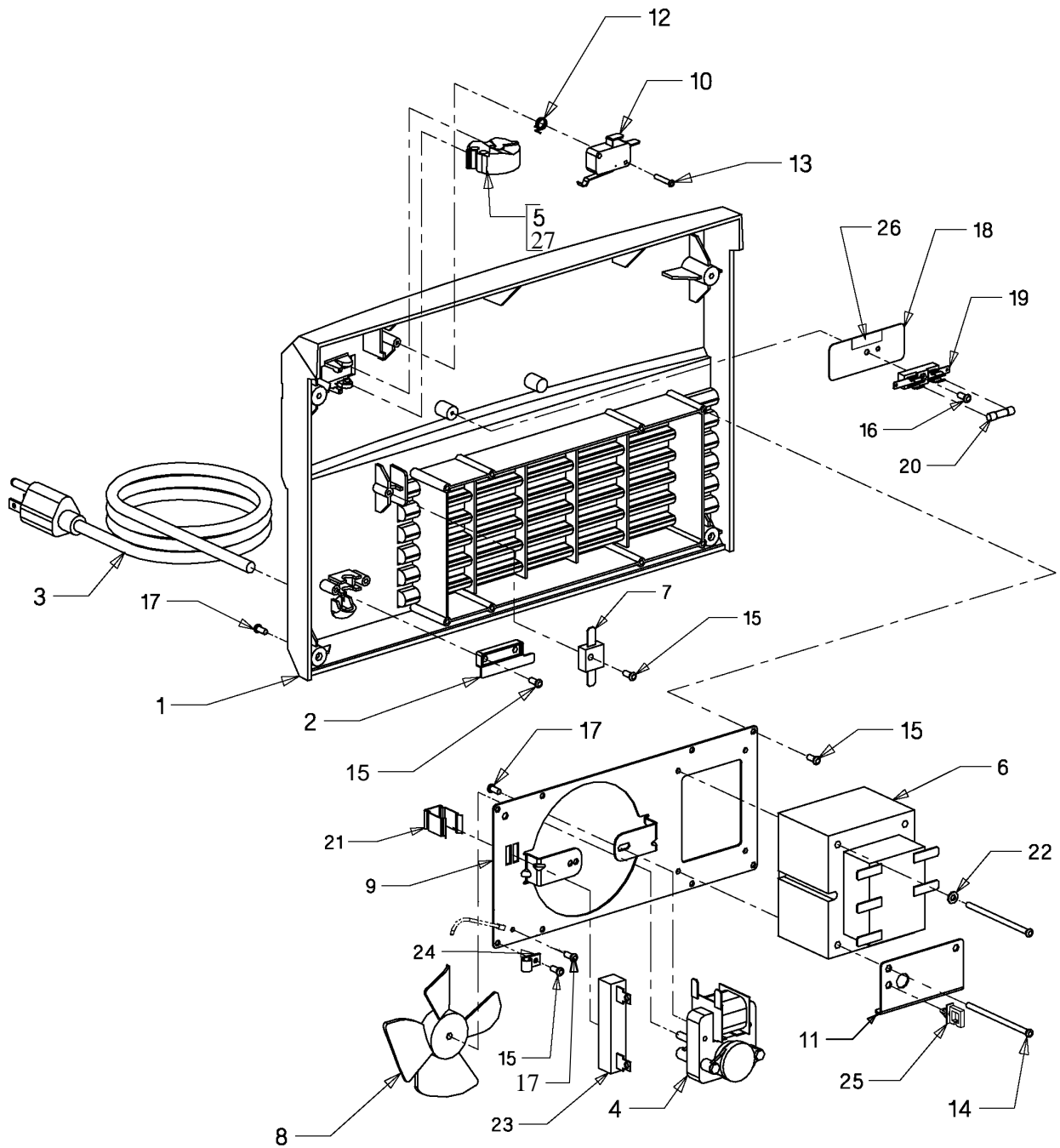
Section 6
BASE ASSEMBLY

Item No.	Part Number	Description	Qty
1	78-8096-5713-9	BAFFLE	1
2	26-1008-5592-8	SCREW, Taptite, M3.5 X 8	10
3	78-8079-8810-6	BRACKET, Backup, Fixed Post	1
4	78-8096-5808-7	BASE	1
5	78-8079-8809-8	BLOCK, Post	1
6	78-8096-5712-1	BASE, Floor	1
7	26-1008-5211-5	FOOT, Mounting	4
8	78-8073-6942-2	SCREW, Foot	4
9	26-1002-5268-8	SCREW, Machine, 6-32 X 3/8	1
10	26-1001-7983-2	NUT, Keps, 6-32	1
11A	78-8096-5807-9	LABEL, Lamp Replacement, EHJ	1
11B	78-8096-5771-7	LABEL, Lamp Replacement, FNT	1
11C	78-8096-5739-4	LABEL, Lamp Replacement, EYB	1
11D	78-8096-5816-0	LABEL, Lamp Replacement, Xerox	1
12	34-7033-0130-8	LABEL, Blank (Nameplate)	1
13	78-8096-5770-9	THERMOSTAT, Safety	1
14	26-1001-6189-7	FUSE CARRIER (See Note 1)	1
15A	26-1005-9599-5	FUSE, 5 Amp (See Note 2)	1
15B	26-1008-6347-6	FUSE, 4 Amp (See Note 3)	1
16	26-1011-2502-4	FUSEHOLDER (See Note 1)	1
17A	78-8073-7212-9	SWITCH, Hi/Lo	1
17B	78-8079-9134-0	SWITCH, 127V/220V (Brazil)	1
18	78-8079-9138-1	LABEL, Switch (Brazil)	1
19A	78-8079-9201-7	LABEL, Service (Australia)	1
19B	78-8073-3292-5	LABEL, Service (New Zealand)	1
20	78-8064-1809-7	LABEL, Caution (Australia)	1
Not Shown	78-8003-8335-4	TIE, Strap	AR

Note:

1. Used on:
4405 AAAB, AHAS, AHAU, AHAZ,
4408 AADB, AHDZ, AHDS, AHDU,
4420 AHCS, AHCU and AHCZ Mfg. Code A4 and later.
2. Used on:
4405 AAAB and 4408 Mfg. Code A4 and later.
3. Used on:
all versions except 4405 AAAB and 4408 AADB Mfg. Code A4 and later.

Section 7
FRONT COVER ASSEMBLY



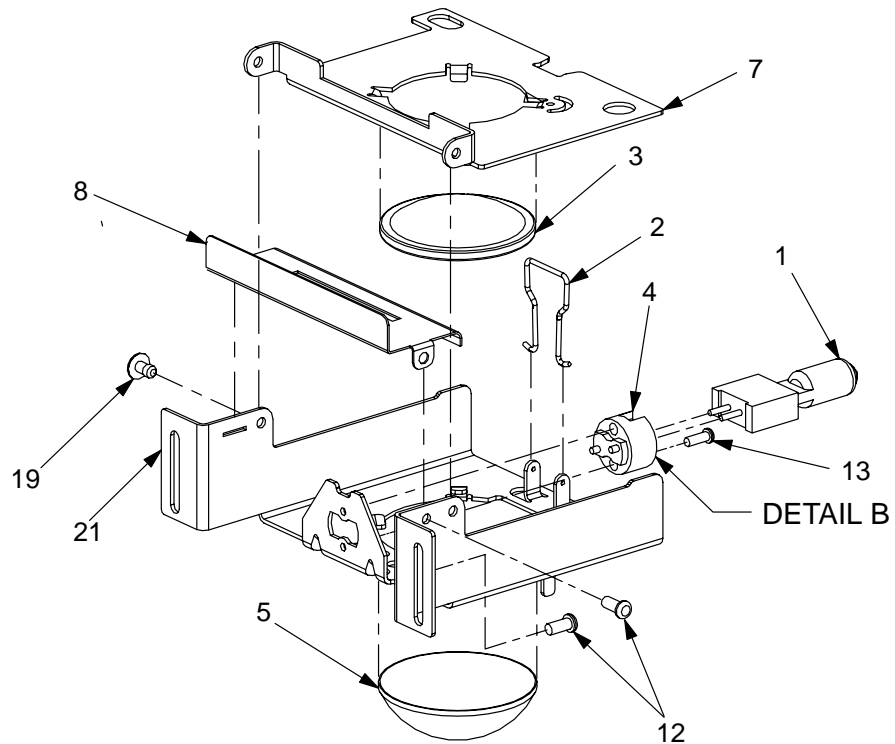
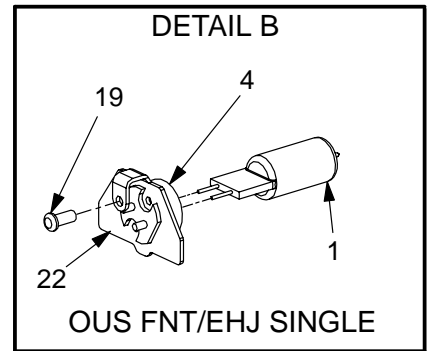
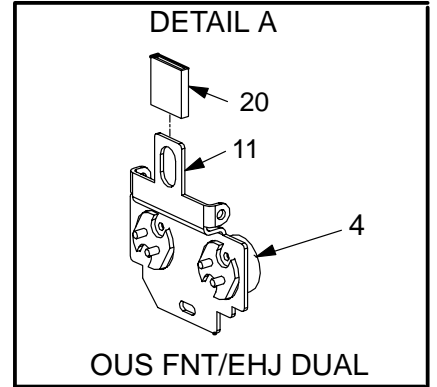
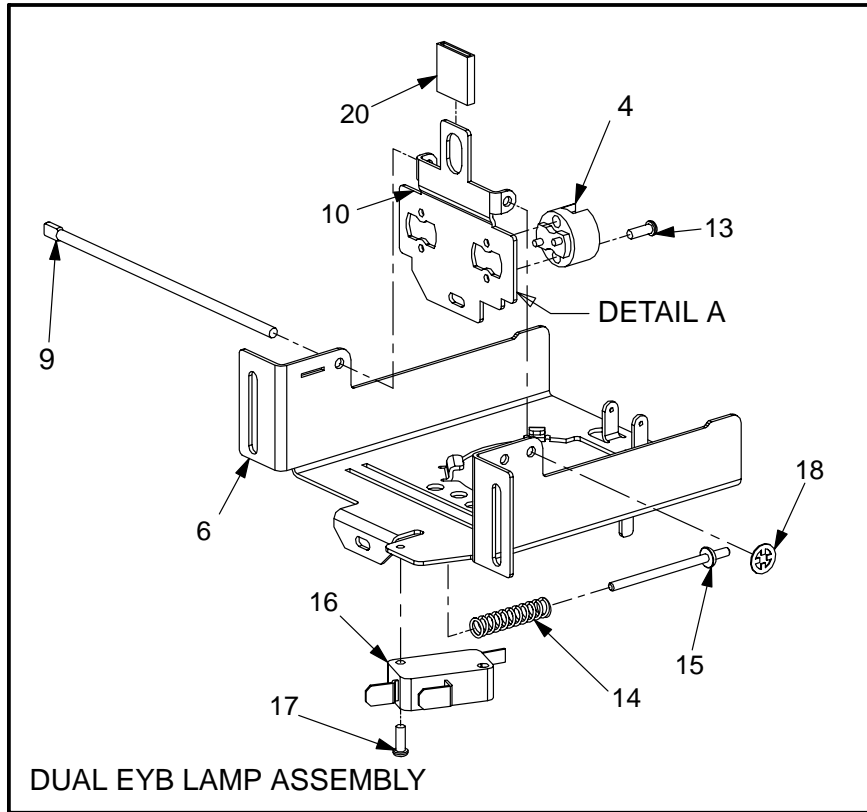
Section 7
FRONT COVER ASSEMBLY

Item No.	Part Number	Description	Qty
1A	78-8096-5813-7	COVER, Front (Xerox)	1
1B	78-8096-5710-5	COVER, Front	1
2	78-8079-8797-5	PLATE, Cord, Small (Gray)	1
3A	78-8065-8221-5	POWER CORD, Australia	1
3B	78-8096-5775-8	POWER CORD, Europe, 15 Ft	1
3C	78-8065-8545-7	POWER CORD, Italy, 10 Ft.	1
3D	78-8096-5779-0	POWER CORD, Japan, 10 Ft	1
3E	78-8065-8280-1	POWER CORD ASSEMBLY, South Africa	1
3F	78-8096-5777-4	POWER CORD, Swiss, 15 Ft	1
3G	78-8079-8822-1	POWER CORD, US, (120V), 10 Ft.	1
3H	78-8096-5776-6	POWER CORD, U.K. 15 Ft	1
4A	78-8096-5702-2	MOTOR, (230V)	1
4B	78-8096-5703-0	MOTOR, (120V)	1
4C	78-8096-5759-2	MOTOR, (100V)	1
5A	78-8096-5815-2	SWITCH, Rocker (Xerox)	1
5B	78-8096-5718-8	SWITCH, Rocker (See Note 1)	1
6A	78-8079-8921-1	TRANSFORMER, FNT (100V)	1
6B	78-8079-8860-1	TRANSFORMER, FNT (230/240V)	1
6C	78-8079-8861-9	TRANSFORMER, FNT (240/250V)	1
6D	78-8096-5818-6	TRANSFORMER, 127/220V, Brazil	1
7	78-8064-1834-5	DIODE, Inline	1
8	78-8079-9194-4	BLADE, Fan	1
9A	78-8096-5719-6	BRACKET, Motor (120V versions)	1
9B	78-8096-5730-3	BRACKET, Motor (220/240V versions)	1
10	78-8096-5726-1	MICROSWITCH (See Note 1)	1
11	78-8096-5728-7	BRACKET, Transformer	1
12	78-8096-5740-2	SPRING, Torsion	1
13	26-1008-4567-1	SCREW, Type BT, 4-24 X 3/4	2
14	26-1009-8678-0	SCREW, Taptite, M4 X 60,	4
15	26-1002-4971-8	SCREW, Plastite, 6-19 X 1/2	2
16	26-1002-4967-6	SCREW, Plastite, 4-20 X 3/8	2
17	26-1008-5592-8	SCREW, Taptite, M3.5 X 8	8
18	78-8054-1019-4	INSULATOR, Fuse	1
19	26-1005-6624-4	FUSEHOLDER	1
20	26-1008-6347-6	FUSE, 4 Amp	1
21	78-8033-1666-6	CLIP, Tinnerman	1
22	26-1004-2053-3	WASHER, Lock, Internal/External Tooth, #8	2
23	78-8073-7127-9	RESISTOR	1
24	78-8005-1147-5	CLIP	1
25	26-1005-4113-0	CLIP, Clamp	1
26A	78-8079-9018-5	LABEL, Fuse, 4Amp	1
26B	78-8057-4184-6	LABEL, Fuse, 5Amp	1
27	78-8096-5817-8	SWITCH, ON/OFF (See Note 2)	1

Note:

1. Used on:
OUS versions with Mfg. Code C1 and earlier.
2. Used on:
OUS versions with Mfg. Code C1 and up.

Section 8
LAMP HOUSING



Section 8
LAMP HOUSING

Item No.	Part Number	Description	Qty
1A	78-8096-5725-3	LAMP, Projection, EYB, 360W, 82V	1
1B	78-8054-1175-4	LAMP, Projection, FNT, 275W, 24V	1
1C	78-8062-0930-6	LAMP, Projection, EHJ, 250W, 24V	1
2	78-8079-9053-2	SPRING, Catch	1
3	78-8096-5709-7	LENS, Condenser, 40mm	1
4A	78-8096-5716-2	SOCKET, Lamp, TP61	1
4B	78-8096-5789-9	SOCKET, EYB (Black Leads)	1
5	78-8096-5720-4	REFLECTOR	1
6	78-8096-5734-5	BRACKET, Reflector, Dual	1
7	78-8096-5723-8	BRACKET, Condenser	1
8	78-8096-5747-7	BRACKET, Deflector	1
9	78-8096-5727-9	ROD, Pivot	1
10	78-8096-5745-1	BRACKET, EYB, Socket, Dual	1
11	78-8096-5785-7	SOCKET ASSEMBLY (FNT Dual)	1
12	26-1008-5592-8	SCREW, Taptite, M3.5 X 8	3
13	26-1002-5086-4	SCREW, Taptite, 4-40 X 3/8	2
14A	12-7992-2978-1	SPRING, Compression	1
14B	12-7992-3100-1	SPRING, Compression	1
15	78-8096-5749-3	SHAFT, Over Center	1
16	78-8096-5768-3	SWITCH, Lampchanger	1
17	26-1002-6208-3	SCREW, Taptite, M3 X 16	2
18	78-8656-5801-3	RING, Push-on,	1
19	26-1004-9300-1	SCREW, Taptite, M3 X 6	1
20	78-8096-5793-1	TUBING, Insulation	1
21A	78-8096-5810-3	BRACKET, Reflector, EYB (See Note 1)	1
21B	78-8096-5722-0	BRACKET, Reflector, EYB	1
22	78-8096-5811-1	SOCKET ASSEMBLY, FNT Single	1

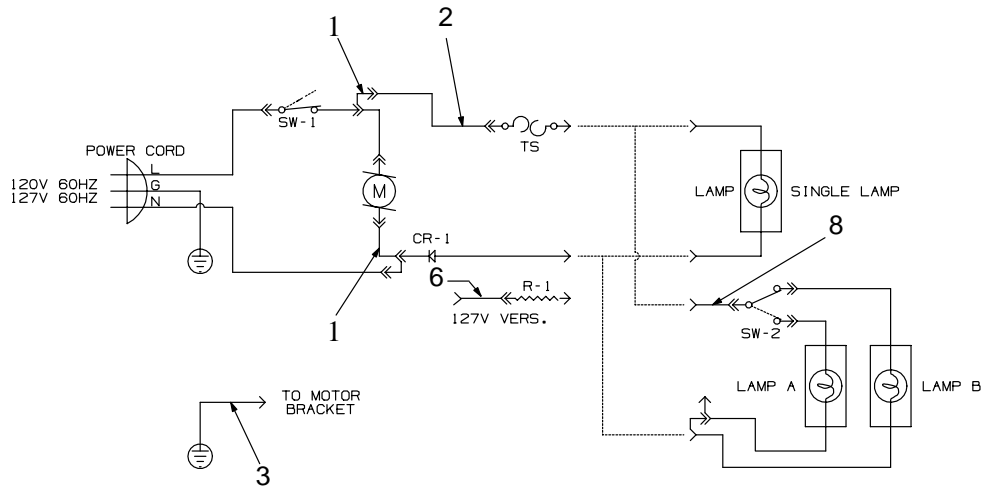
Note:

1. Used on:

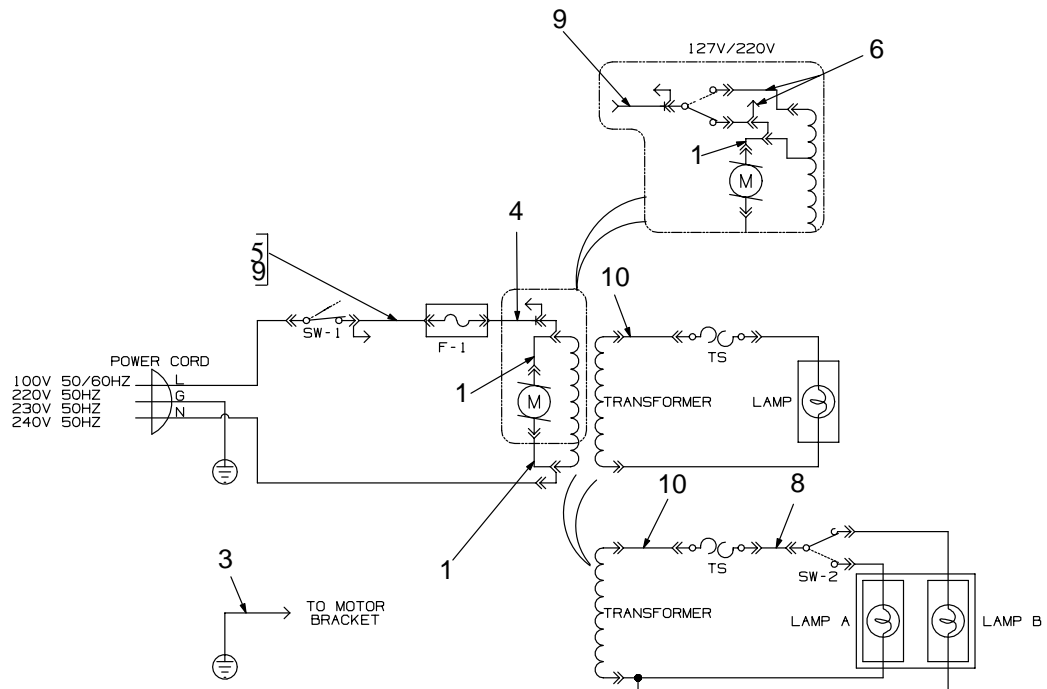
4405 AAAD,AJA,
4406 AJE, AJEX and
4407 AJF.

Section 9
WIRE JUMPERS

WIRING SCHEMATIC (EYB)



WIRING SCHEMATIC (FNT)



Section 9
WIRE JUMPERS

Item No.	Part Number	Description	Qty
1	78-8096-5737-8	JUMPER 8' (Qty 2 EYB versions)	1
2	78-8096-5738-6	JUMPER 15' (Used on EYB versions only.)	1
3	78-8096-5741-0	JUMPER, Ground 7'	1
4	78-8079-8973-2	JUMPER, 10" (Switch/Fuse) (Used on FNT versions only.)	1
5	78-8097-3619-8	JUMPER, 5" Black (Used on FNT versions only.)	1
6	78-8097-3603-2	JUMPER, 8" Grey	1
7	78-8079-8967-4	JUMPER, 8.75" (Not shown)	2
8	78-8079-8966-6	JUMPER	1
9	78-8065-8268-6	WIRE, Lead, Fuse, Kill Switch (Used on FNT versions only.)	1
10	78-8065-8273-6	WIRE, Lead, Power Supply, Kill Switch (Used on FNT versions only.)	1

This page intentionally left blank.

**Appendix A
SPECIFICATIONS**

Country	Power Cord	Model Alpha	Stock Number	Voltage/Hz	Agency	Stage Size	Head Type	Lamp Changer	Color Tuning	Post Type	Lamp Type	Handle	Lamp Control	Lamps Installed	Fresnel	Power	Fuse	Amps	Cord Storage
Australia	Australian	4405 AHAA	78-9236-5916-9	240/50	SAA	A4	Open Singlet	No	Internal	Fixed	FNT	No	None	1	4400 SE CL	Transformer	T4A	1.7	No
New Zealand	Australian	4405 AHAN	78-9236-5923-5	240/50		A4	Open Singlet	No	Internal	Fixed	FNT	No	None	1	4400 SE CL	Transformer	T4A	1.7	No
Australia	Australian	4408 AHDA	78-9236-5930-0	240/50	SAA	A4	Open Singlet	Yes	Internal	Fixed	FNT	No	None	1	4400 SE CL	Transformer	T4A	1.7	No
New Zealand	Australian	4408 AHDN	78-9236-5937-5	240/50		A4	Open Singlet	Yes	Internal	Fixed	FNT	No	None	1	4400 SE CL	Transformer	T4A	1.7	No
Australia	Australian	4420 AHCA	78-9236-5944-1	240/50	SAA	A4	Open Triplet	Yes	Internal	Fixed	FNT	No	None	1	9800 DE CL	Transformer	T4A	1.7	No
New Zealand	Australian	4420 AHCN	78-9236-5951-6	240/50		A4	Open Triplet	Yes	Internal	Fixed	FNT	No	None	1	9800 DE CL	Transformer	T4A	1.7	No
Europe Std.	European	4405 AHAS	78-9236-5913-6	230/50	EUROPEAN	A4	Open Singlet	No	Internal	Fixed	FNT	No	None	1	4400 SE CL	Transformer	T4A	1.7	No
Europe Std.	European	4408 AHDS	78-9236-5927-6	230/50	EUROPEAN	A4	Open Singlet	Yes	Internal	Fixed	FNT	No	None	1	4400 SE CL	Transformer	T4A	1.7	No
Europe Std.	European	4420 AHCS	78-9236-5941-7	230/50	EUROPEAN	A4	Open Triplet	Yes	Internal	Fixed	FNT	No	None	1	9800 DE CL	Transformer	T4A	1.7	No
Brazil	Japan	4405 AAAB	78-9236-6006-8	127/220/50		A4	Open Singlet	No	Internal	Fixed	FNT	No	None	1	4400 SE CL	Transformer	None	3	No
Japan	Japan	4405 ABAJ	78-9236-5917-7	100/50/60	MITI	A4	Open Singlet	No	Internal	Fixed	FNT	No	None	1	4400 SE CL	Transformer	T4A	0	No
Brazil	Japan	4408 AADB	78-9236-6008-4	127/220/50		A4	Open Singlet	Yes	Internal	Fixed	FNT	No	None	1	4400 SE CL	Transformer	T4A	4.5	No
Japan	Japan	4408 ABDJ	78-9236-5931-8	100/50/60	MITI	A4	Open Singlet	Yes	Internal	Fixed	FNT	No	None	1	4400 SE CL	Transformer	T4A		No
Japan	Japan	4420 ABCJ	78-9236-5945-8	100/50/60	MITI	A4	Open Triplet	Yes	Internal	Fixed	FNT	No	None	1	9800 DE CL	Transformer	T4A		No
Chile	Other	4405 AHAC	78-9236-5926-8	230/50		A4	Open Singlet	No	Internal	Fixed	FNT	No	None	1	4400 SE CL	Transformer	T4A	1.7	No
Chile	Other	4408 AHDC	78-9236-5940-9	230/50		A4	Open Singlet	Yes	Internal	Fixed	FNT	No	None	1	4400 SE CL	Transformer	T4A	1.7	No
Chile	Other	4420 AHCC	78-9236-5954-0	230/50		A4	Open Triplet	Yes	Internal	Fixed	FNT	No	None	1	9800 DE CL	Transformer	T4A	1.7	No
South Africa	South Africa	4405 AHAR	78-9236-5918-5	240/50	SABS	A4	Open Singlet	No	Internal	Fixed	FNT	No	None	1	4400 SE CL	Transformer	T4A	1.7	No
South Africa	South Africa	4408 AHDR	78-9236-5932-6	240/50	SABS	A4	Open Singlet	Yes	Internal	Fixed	FNT	No	None	1	4400 SE CL	Transformer	T4A	1.7	No
South Africa	South Africa	4420 AHCR	78-9236-5946-6	240/50	SABS	A4	Open Triplet	Yes	Internal	Fixed	FNT	No	None	1	9800 DE CL	Transformer	T4A	1.7	No
Switzerland	Swiss	4405 AHAZ	78-9236-5915-1	230/50	SEV	A4	Open Singlet	No	Internal	Fixed	FNT	No	None	1	4400 SE CL	Transformer	T4A	1.7	No
Switzerland	Swiss	4408 AHDZ	78-9236-5929-2	230/50	SEV	A4	Open Singlet	Yes	Internal	Fixed	FNT	No	None	1	4400 SE CL	Transformer	T4A	1.7	No
Switzerland	Swiss	4420 AHCZ	78-9236-5943-3	230/50	SEV	A4	Open Triplet	Yes	Internal	Fixed	FNT	No	None	1	9800 DE CL	Transformer	T4A	1.7	No
United Kingdom	U.K.	4405 AHAU	78-9236-5914-4	240/50	EUROPEAN	A4	Open Singlet	No	Internal	Fixed	FNT	No	None	1	4400 SE CL	Transformer	T4A	1.7	No
United Kingdom	U.K.	4408 AHDU	78-9236-5928-4	240/50	EUROPEAN	A4	Open Singlet	Yes	Internal	Fixed	FNT	No	None	1	4400 SE CL	Transformer	T4A	1.7	No
United Kingdom	U.K.	4420 AHCU	78-9236-5942-5	240/50	EUROPEAN	A4	Open Triplet	Yes	Internal	Fixed	FNT	No	None	1	9800 DE CL	Transformer	T4A	1.7	No

Country	Power Cord	Model Alpha	Stock Number	Voltage/Hz	Agency	Stage Size	Head Type	Lamp Changer	Color Tuning	Post Type	Lamp Type	Handle	Lamp Control	Lamps Installed	Fresnel	Power	Fuse	Amps	Cord Storage
Saudi Arabia	United States	4405 AAAD	78-9236-5921-9	127/60		10.5	Open Singlet	No	Internal	Fixed	EYB	No	None	1	4400 SE CL	Diode/ Resistor	None	4.5	No
United States	United States	4405 AJA	78-9236-5909-4	120/60	UL/CSA	10.5	Open Singlet	No	Internal	Fixed	EYB	No	None	1	4400 SE CL	Diode	None	4.5	No
United States	United States	4406 AJE	78-9236-6007-6	120/60	UL/CSA	10.5	Closed Singlet	No	Internal	Fixed	EYB	No	None	1	4400 SE CL	Diode	None	4.5	No
Xerox Distribution	United States	4406 AJEX	78-9236-6051-4	120/60		10.5	Closed Singlet	No	Internal	Fixed	EYB	No	None	1	4400 SE CL	Diode	None	4.5	No
United States	United States	4407 AJF	78-9236-5910-2	120/60	UL/CSA	10.5	Closed Singlet	No	Internal	Fixed	EYB	No	None	1	4400 SE CL	Diode	None	4.5	No
Saudi Arabia	United States	4408 AADD	78-9236-5935-9	127/60		10.5	Open Singlet	Yes	Internal	Fixed	EYB	No	None	1	4400 SE CL	Diode/ Resistor	None	4.5	No
United States	United States	4410 AJB	78-9236-5911-0	120/60	UL/CSA	10.5	Closed Singlet	Yes	Internal	Fixed	EYB	No	None	1	4400 SE CL	Diode	None	4.5	No
United States	United States	4415 AJG	78-9236-6026-6	120/60	UL/CSA	10.5	Closed Singlet	Yes	Internal	Fixed	EYB	No	None	1	4400 SE CL	Diode	None	4.5	No