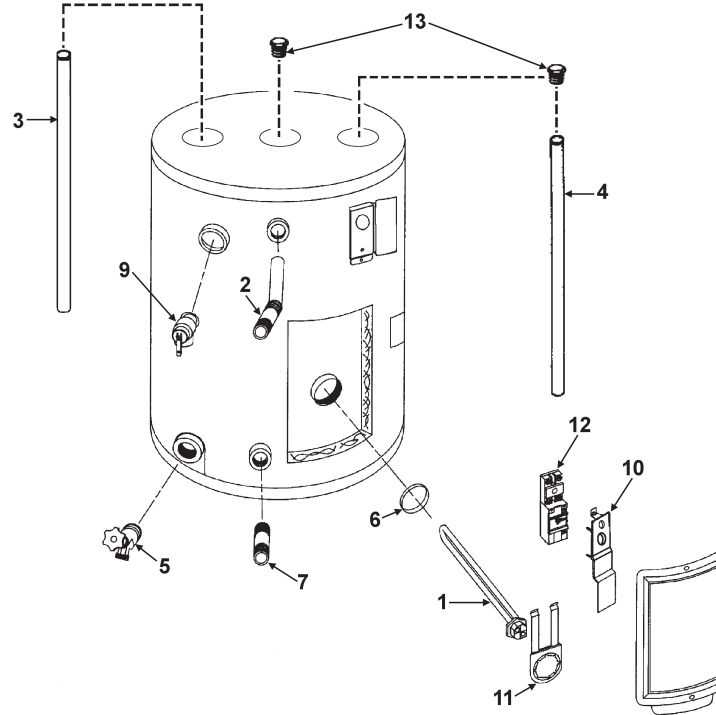


A.O. Smith Water Heaters

RESIDENTIAL ELECTRIC SERVICE PARTS LIST

A. O. Smith Water Heater Parts Fulfillment
125 Southeast Parkway • Franklin, TN 37068
www.hotwater.com • 1-800-433-2545

**PROMAX
MODELS:
EJC 6, EJC 10,
EJCS 20, EJCT 20**



| Gallage | | 6 | 10 | 19 (20S) | 19.9 (20T) |
|---------|---------------|---------------|---------------|---------------|---------------|
| Item | Description | EJC 6 | EJC 10 | EJCS 20 | EJCT 20 |
| 1 | Element 120V | 9002072 1650W | 9002072 1650W | 9002859 2500W | 9002859 2500W |
| 1 | Element 240V | 9003955 3000W | 9003955 3000W | 9005264 4500W | 9005264 4500W |
| 2 | Outlet Nipple | 9001494 | 9006294 | 9006294 | 9006294 |
| 3 | Anode Rod | 9003942 | 9003942 | 9003944 | 9003944 |
| 4 | Inlet Tube | 9006297 | ----- | 9006296 | 9003663 |

| Standard Items on All Models | | |
|------------------------------|-----------------------------------|-------------|
| Item | Description | Part Number |
| 5 | Drain Valve | 9004330 |
| 6 | Element Gasket | 9000308 |
| 7 | Inlet Nipple 2-1/2" | 9003976 |
| *8 | Manual | 185762-000 |
| 9 | Temperature-Pressure Relief Valve | 9003484 |
| 10 | Terminal Cover | 9002853 |
| 11 | Thermostat Bracket | 9006298 |
| 12 | Thermostat w/Hi Limit | 9000509 |
| **13 | Plug 3/4" - 14 NPT | 9001327 |

*Not illustrated **Also available at most hardware stores

A. O. Smith Water Heater Parts Fulfillment • phone: 1-800-433-2545 • www.hotwater.com