

User Manual

Mode d'Emploi

Benutzerhandbuch

使用者手冊

TV Turner Frame

Syntoniseur TV

電視選台器相框

TV チューナー フレーム

Table of Contents

Features _____ **2**

System Requirements _____ **2**

Package Contents _____ **3**

Part Identification _____ **4**

Remote Controller _____ **5**

Installation _____ **6**

FCC Notice _____ **8**

Features

This TV Tuner Frame is designed for

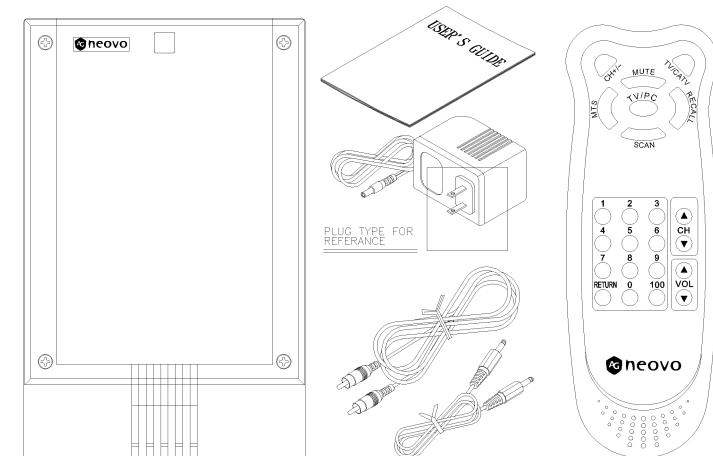
- Picture frame style which allows a 3"x5" portrait photograph
- NTSC, PAL, or SECAM television system supported
- 125 channels of UHF/VHF and CATV for NTSC system
- Stereo audio output and adjustable volume control
- Auto-scan channel setup
- On Screen Display control function
- Infrared remote control
- MTS audio output (for NTSC system only)

System Requirements

- LCD monitor or other display device with video input capability
- TV antenna or cable TV signal input
- Speakers with build-in amplifier
- DC +9V power input

Package Contents

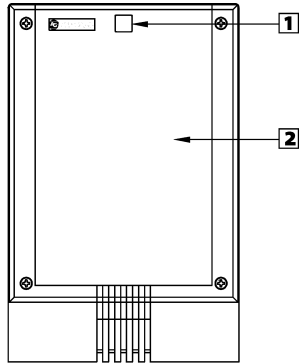
- TV Tuner Frame x 1
- Remote controller x 1
- Video cable x 1
- Audio cable x 1
- Power adapter x 1
- User manual x 1
- Batteries AAA size x 2 (for remote controller)



Parts Identification

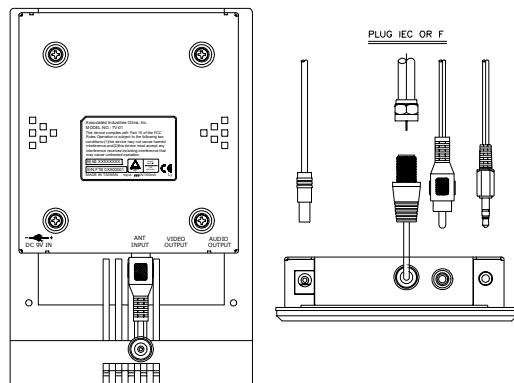
Front view

1. Remote control receiver window
2. Picture frame



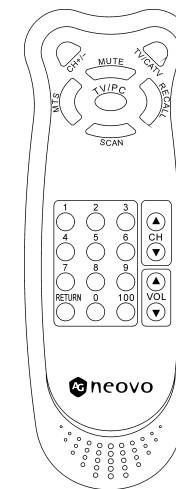
Back view

- DC 9V IN (for power input)
- ANT INPUT (for antenna signal input)
- VIDEO OUTPUT (for video signal output)
- AUDIO OUTPUT (for audio signal output)



Remote controller

- 1 0...9, 100: for direct channel selection
- 2 CH▲▼: channel selection
- 3 VOL▲▼: volume control
- 4 RETURN: return to last selected channel
- 5 CH +/-: to add or erase channel
- 6 TV/CATV: select TV or cable TV
- 7 MUTE: to enable/disable the audio mute function
- 8 MTS: to select audio mode (mono/stereo/sap)
(This function is only feasible for NTSC system.)
- 9 SCAN: to scan the available channels and to memorize automatically
- 10 RECALL: to show current status
- 11 TV/PC: to switch between TV and PC screens (This function may not be feasible if you are not using an AG neovo monitor.)



Installation

1 Installation of TV tuner function

- 1.1 Plug the TV antenna or cable TV connection to the “ANT INPUT” on the rear of the TV Tuner Frame.
- 1.2 Connect the “VIDEO OUTPUT” port on the rear of the TV Tuner Frame to the “VIDEO INPUT” port of LCD monitor by using the video cable included.
- 1.3 Connect the “AUDIO OUTPUT” port on the rear of the TV Tuner Frame to the “AUDIO INPUT” of speaker by using the audio cable included.
- 1.4 Plug power connection of power adapter into the “DC 9V IN” port on the rear of the TV Tuner Frame.

2 Installation of remote controller

- 2.1 Remove the battery cover on the rear of remote controller.
- 2.2 Insert the batteries included into the slot. Be sure the direction of battery’s pole is correct.
- 2.3 Attach the cover back to the remote controller.

3 Setup of TV channels

- 3.1 Turn on the LCD monitor connected to the TV Tuner Frame.
- 3.2 Press the SCAN button on the remote controller to scan all the available channels automatically.

4 Installation of photograph to the frame

- 4.1 Remove the photograph inside the frame already. You may need to shake the TV Tuner Frame up and down.
- 4.2 The frame is designed for photographs up to 5” by 3” (12.7 by 7.6 cm) size. You may need to refine the size of your photograph to fit into the frame.

- 4.3 Insert the photograph and be sure it is positioned properly. The photograph should not cover the remote control receiver window. Otherwise, the remote controller will be no function.

FCC NOTICE

This device complies with Part 15 of the FCC Rules. Operation is subject to the following two

conditions :

- (1) this device may not cause harmful interface, and
- (2) this device must accept any interference received, including interference that may cause undesired operation.