

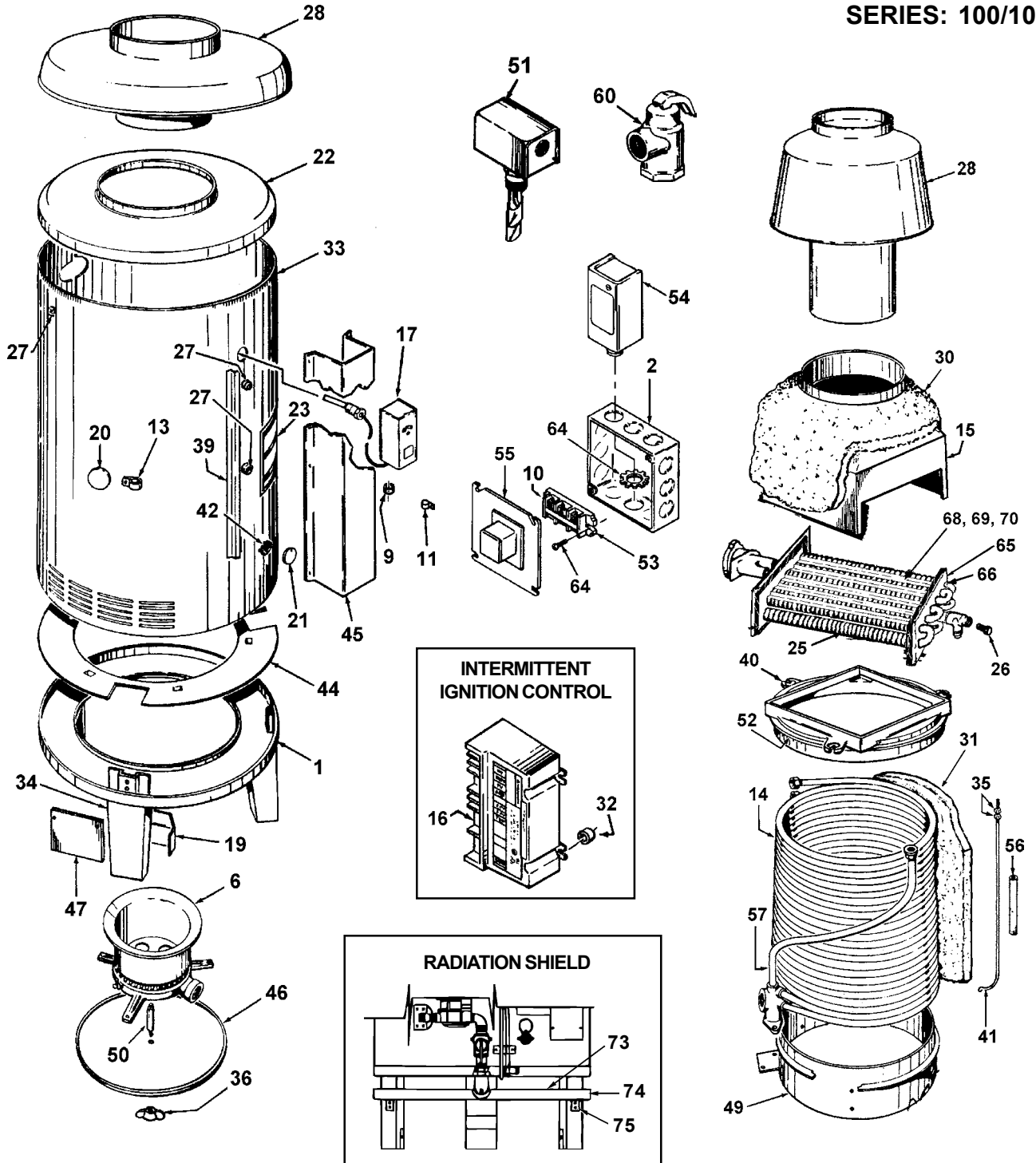
A. O. SMITH
WATER PRODUCTS
COMPANY

PSD-3-452

GAS

COMMERCIAL WATER HEATER
REPLACEMENT PARTS LIST

MODELS HW/HWB 300 THRU 670
SERIES: 100/101

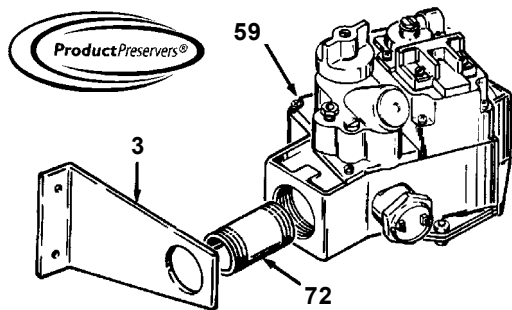


A.O. SMITH WATER PRODUCTS CO., INC.

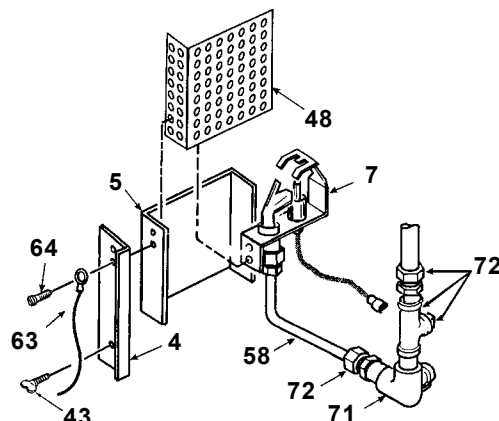
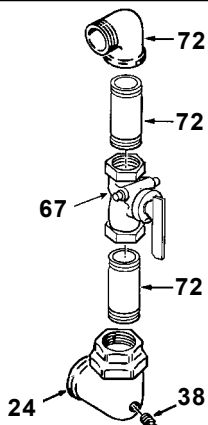
5621 W. 115TH STREET • ALSIP, ILLINOIS 60803

Phone: 1-800-433-2545 • Fax: 1-800-433-2515

website: www@hotwater.com

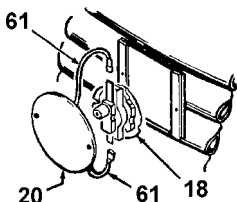


ROBERTSHAW GAS VALVE

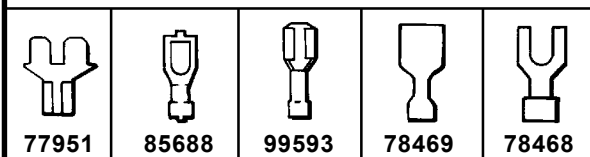


PILOT ASSEMBLY

COIL HIGH LIMIT ASSEMBLY



WIRE TERMINALS USED WITH ITEM 62



Item	Parts Description	HW 300	HW 399/420	HW 520	HW670
1	Base, Assembly	76195-700	76193-700	76193-700	76193-700
2	Box, Junction	190616-4	190616-4	190616-4	190616-4
3	Bracket, Gas Control String	93764	93764	93764	93764
4	Bracket, Pilot (At Main Gas Burner)	190424	190424	190424	190424
5	Bracket, Shield	190473	190473	190473	190473
6	Burner, Main: Sea Level				
	Natural Gas	98593-20	98593-2	98593-21	98593-4
	Propane Gas	98593-1	98593-3	98593-22	98593-5
7	Burner, Pilot (With Orifice):				
	Natural Gas	210871	210871	210871	210871
	Propane Gas	210871-1	210871-1	210871-1	210871-1
9	Bushing, Snap	98863	98863	98863	98863
10	Cap, Terminal End	98206	98206	98206	98206
11	Clamp, Capillary Tube	94998	94998	94998	94998
12	Clamp, Tubing	68903	68903	68903	68903
13	Clip, Retainer	92979	92979	92979	92979
14	Coil, Combustion Chamber	97485	97486	99267	99267
15	Collector, Flue (Series 100)	190285-10	212037/212037-1	212035	190286-1
	Collector, Flue (Series 101)	190285-1	212037/212037-1	212035	190286
16	Control, Intermittent Ignition:				
	Natural Gas (Series 100)	191182-2	191182-2	191182-2	191182-2
	Propane Gas (Series 101)	191182-3	191182-3	191182-3	191182-3
17	Control, Limit	93661-4	93661-4	93661-4	93661-4
18	Control, Limit (Protector Switch)	77981-2	77981-2	77981-2	77981-2
19	Cover, Leg	97259-701	97259-701	97259-701	97259-701
20	Cover, Limit Control (Protector Switch)	96667-706	96667-706	96667-706	96667-706
21	Cover, Peep Hole	1050-702	1050-702	1050-702	1050-702
22	Cover, Top	96096-709	96096-701	96378-702	96378-701
23	*Decals:				
	ASHRAE	191857	191857	191857	191857
	California	42985	42985	42985	42985
	Clearance — Models HW-300, 399	190022-1	190022-2	---	---
	Clearance — Models HW-420, 520 & 670	---	76982	76982	76982
	Flammable Vapors/Scald	192872	192872	192872	192872
	Lighting & Operating	191367	191367	191367	191367
	M.E.A.	42929-22	42929-22	42929-23	42929-22
	Pilot 77860	77860	77860	77860	---
	Protector	97315	97315	97315	97315
	Warning	190230	190230	190230	190230
	Water Inlet	94518	94518	94518	94518
	Water Outlet	94519	94519	94519	94519
	Wiring Diagram:				
	Natural Gas	192359	192359	192359	192359
	Propane Gas	192360	192360	192360	192360
24	Elbow, Union With 1/8" Pressure Tap	1854	2482	86506	86506
25	Exchanger, Heat	190922	190913	190889	190889
26	Fitting, Limit Control	97570	97570	97570	97570

Item	Parts Description	HW 300	HW 399/420	HW 520	HW670
27	Grommet	96053	96053	96053	96053
28	Hood, Draft:				
	Series 100	190479-700	98428-707/98428-704	98428-704	98428-8
	Series 101	190479-700	98428-707/98428-704	98428-704	98428-700
30	Insulation, Blanket	212042-2	212042-3	212042-4	212042-5
31	Insulation, Pyrofelt	212043	212044	212044	212044
32	Insulator	32779-1	32779-1	32779-1	32779-1
33	Jacket	211176	211177	211178	211178
34	Leg	96383-711	96383-701	96383-701	96383-701
35	Nut, Tie Rod	85138	85138	85138	85138
36	Nut, Wing	---	1995-1	1995-1	1995-1
37	Orifice, Pilot Burner:				
	Natural Gas	6210	6210	6210	6210
	Propane Gas	210913	210913	210913	210913
38	Plug, Pipe 1/8" Pressure Tap	3348	3348	3348	3348
39	Retainer, Door	190429	190429	190429	190429
40	Ring, Support	95359	85405	85405	85405
41	Rod, Tie (3 Required)	---	94453-11	94453-3	94453-3
	Rod, Tie (2 Required)	94453-6	---	---	---
	Rod, Tie (1 Required)	94453-2	---	---	---
42	Screen, Peep Hole	1051	1051	1051	1051
43	Screw, Thumb	97288	97288	97288	97288
44	Shield, Base Radiation	96015-1	96015	96015	96015
45	Shield, Door	191119	191119	191119	191119
46	Shield, Floor	---	96025	96025	96025
47	Shield, Leg	97265	97265	97265	97265
48	Shield, Pilot	170247	170247	170247	170247
49	Skirt Assembly	97260	97261	97262	97262
50	Stud, Floor Shield	---	96384	96384	96384
51	Switch, Safety Flow				
	(Required but not supplied with unit)	211480	211480	211480	211480
52	Tape, Asbestos Free (Used with Item 40)	95072	95072-1	95072-1	95072-1
53	Terminal, Segment (4 Required)	98205	98205	98205	98205
54	Thermal Balancer	98190	98190	98190	98190
55	Transformer	69170-10	69170-10	69170-10	69170-10
56	Tube, Asbestos Free	68831	68831	68831	68831
57	Tube, By-Pass	96162-1	94451-3	97463	97463
58	Tubing, 1/4" x 60" Wire Assorted Fittings (User to cut to required length)	1417-60	1417-60	1417-60	1417-60
59	Valve, Gas Control:				
	Natural Gas (Series 100)	<u>78450</u>	<u>78450-4/78450</u>	<u>78450</u>	<u>78450</u>
	Propane Gas (Series 101)	<u>78450-1</u>	<u>78450-5/78450-1</u>	<u>78450-1</u>	<u>78450-1</u>
60	Valve, Relief 50 PSI	210451	210451-1	210451-1	210451-1
61	Wire, 200°C Tan with Terminals	6226	6226	6226	6226
62	*Wire, (See illustration for terminals — Order as required):				
	16 AWG Stranded, 1050C, AWM & TEW				
	Black	86578	86578	86578	86578
	Red	86579	86579	86579	86579
	White	86580	86580	86580	86580
	18 AWG Stranded, 200°C				
	Tan	78223	78223	78223	78223
63	Wire, Ground, 250°C	170889-69	170889-69	170889-69	170889-69
64	Standard hardware items to be purchased locally.				
65	Glass Yarn (4 Req'd.)	68831-2	68831-3	68831-3	68831-3
66	Glass Yarn (4 Req'd.)	68831-5	68831-4	68831-6	68831-6
67	Valve - Manual Shut Off	3423-5	3423-4	3423-3	3423-3
68	Baffle (5) location inside tubes	211931	---	---	---
69	Baffle-V (2) location outside tubes	192263	---	---	---
70	Baffle-V (7)	---	192263-2	192263-2	---
71	Pilot Valve	200683	200683	200683	200683
72	Standard hardware - purchase locally				
73	Shield - Radiation	211822	---	---	---
74	Shield Radiation Base	211824	---	---	---
75	Base Leg	211827	---	---	---

*Items not illustrated.

When ordering wire, indicate length required in inches. (Example: 86578-100 equals 100" length).

Part numbers underlined are recommended stock items for emergency replacement. (Consider gas used in your area only).

HW

HW

HW

HW



A.O. SMITH
WATER PRODUCTS
COMPANY
PSD / Alsip, IL

A.O. SMITH WATER PRODUCTS CO., INC.
5621 W. 115TH STREET • ALSIP, ILLINOIS 60803
Phone: 1-800-433-2545 • Fax: 1-800-433-2515
website: www@hotwater.com